

CITY MULTI				PUCY- YKA, YKD, YKE
Outdoor unit	Indoor unit	Remote controller	FAULT CODE	Description
○	-	-		Serial communication error/Panel communication error <ul style="list-style-type: none"> <li>Check Control board (CN4A, CN4B) and the Fan board (CN80)</li> <li>Check Control board (CN4) and INV board (CN2)</li> </ul>
-	○	-	0403 (4300) (4305) (4306)	Serial communication error/Panel communication error <ul style="list-style-type: none"> <li>Check SW3-3 on the indoor unit circuit board</li> <li>Set SW3-3 to ON only when connecting an auto filter cleaning unit.</li> <li>Check the LED1 (cleaning unit circuit board (microcomputer power)). <ul style="list-style-type: none"> <li>Lit: Power is supplied properly.</li> <li>Unlit: Check for loose or disconnected power wire between the indoor unit circuit board (CNAC) and the cleaning unit circuit board (CN3A).</li> </ul> </li> <li>Check the LED4 (cleaning unit circuit board (communication)). <ul style="list-style-type: none"> <li>Blinking: Normal communication</li> <li>Unlit: Check for loose or disconnected communication wire between the indoor unit circuit board (CN3G) and the cleaning unit circuit board (CN3G).</li> </ul> </li> <li>If the LED blinks at irregular intervals (normally blinks at 0.5-second intervals), electrical interference is suspected.</li> <li>Check the items above, turn the power off, and turn the power back on.</li> </ul> <p>If the error persists, replace either the cleaning unit circuit board or the indoor unit circuit board.</p>
○	-	-	1102 (1202)	Discharge temperature fault <ul style="list-style-type: none"> <li>Check refrigerant charge</li> <li>Check operating conditions and operation status of indoor/outdoor units.</li> <li>Check indoor/ outdoor LEV</li> <li>Confirm that the refrigerant service valve is fully open.</li> <li>Check the fan on outdoor unit</li> <li>Check thermistor TH4</li> </ul>
○	-	-	1301	Low pressure fault <ul style="list-style-type: none"> <li>Check low pressure sensor with gauge pressure</li> </ul>

\*Fault codes in ( ) indicates Preliminary error code

## CITY MULTI

## PUCY- YKA, YKD, YKE

Outdoor unit	Indoor unit	Remote controller	FAULT CODE	Description
--------------	-------------	-------------------	------------	-------------

*\*Fault codes in () indicates Preliminary error code*

○	-	-	1302 (1402)	<p>High pressure fault</p> <ul style="list-style-type: none"> <li>▪ Check LEV2</li> <li>▪ Confirm that the refrigerant service valve is fully open.</li> <li>▪ Check the outdoor units for problems and correct them, if any</li> <li>▪ Check the fan on the outdoor unit.</li> <li>▪ Check SV1a</li> <li>▪ Check thermistor TH3, TH7</li> <li>▪ Check high pressure sensor with gauge pressure</li> <li>▪ Check the input voltage at the power supply terminal block (TB1).</li> </ul>
○	-	-	1500 (1600)	<p>Refrigerant overcharge</p> <ul style="list-style-type: none"> <li>▪ Check refrigerant charge</li> <li>▪ Check LEV1/LEV2</li> <li>▪ Check indoor LEV</li> <li>▪ Check that the twinning-pipe kit is installed in accordance with the instructions provided in the installation manual.</li> </ul>
-	○	-	2502	<p>Drain pump fault</p> <ul style="list-style-type: none"> <li>▪ Check for proper functioning of the drain pump.</li> <li>▪ Check for proper drainage.</li> <li>▪ Check for proper lead wire installation.</li> <li>▪ Check for clogged filter.</li> <li>▪ Check for normal operation of the float switch (if available).</li> <li>▪ Check the resistance with the float switch turned on and turned off (if available).</li> </ul> <p>If the above item checks out OK, replace the indoor unit control board.</p> <ul style="list-style-type: none"> <li>▪ Check the valves on the indoor unit for leaks.</li> </ul>

## CITY MULTI

## PUCY- YKA, YKD, YKE

Outdoor unit	Indoor unit	Remote controller	FAULT CODE	Description
--------------	-------------	-------------------	------------	-------------

*\*Fault codes in () indicates Preliminary error code*

○	-	-	4220 4225 4226 (4320) (4325) (4326)	Backup operation Abnormal bus voltage drop Abnormal bus voltage rise Logic error Control power-supply fault Low bus voltage at startup <ul style="list-style-type: none"> <li>■ Check whether the power voltage (Between L1 and L2, L2 and L3, and L1 and L3) is 342V or less across all phases.</li> <li>■ Check inverter board/ noise filter/ fan board/ control board</li> </ul> If the problem recurs, replace the INV board or fan board. <ul style="list-style-type: none"> <li>In the case of 4220: INV board</li> <li>In the case of 4225, 4226: Fan board</li> </ul>
○	-	-	4230 (4330)	Heatsink overheat protection <ul style="list-style-type: none"> <li>■ Check fan inverter board</li> <li>■ Check outdoor unit fan</li> <li>■ Check that the heat sink cooling air passage is not blocked</li> <li>■ Check for proper installation of the INV board IGBT.</li> </ul>
○	-	-	4240 4245 4246 (4340)	Overload protection <ul style="list-style-type: none"> <li>■ Check that the heat sink cooling air passage is not blocked</li> <li>■ Power supply voltage is 342 V or above.</li> <li>■ Check inverter/compressor</li> <li>■ Check the setting for the model selection switch on the outdoor unit (Dipswitches SW5-3 -SW5-8 on the outdoor unit control board).</li> </ul>

CITY MULTI				PUCY- YKA, YKD, YKE
Outdoor unit	Indoor unit	Remote controller	FAULT CODE	Description
<i>*Fault codes in () indicates Preliminary error code</i>				
○	-	-	4250 4255 4256 (4350) (4355) (4356)	Backup operation IPM error Short-circuited IPM/Ground fault Overcurrent error due to short-circuited motor Instantaneous overcurrent (S/W detection) Overcurrent (effective value)(S/W detection) <ul style="list-style-type: none"> <li>■ Check inverter/ compressor/ IGBT</li> <li>■ Check the setting for the model selection switch on the outdoor unit (Dipswitches SW5-3 -SW5-8 on the outdoor unit control board).</li> <li>■ Check fan inverter board</li> <li>■ Check outdoor unit fan</li> </ul>
-	○	-	5101 (1202)  5102 (1217)  5103 (1205)  5104 (1202)	Temperature sensor fault - Return air temperature (TH21) Temperature sensor fault - Indoor unit pipe temperature (TH22) Temperature sensor fault - Indoor unit gas-side pipe temperature (TH23) Temperature sensor fault - Outside temperature (TH24) <ul style="list-style-type: none"> <li>■ Check the thermistor resistor.               <ul style="list-style-type: none"> <li>0°C [32°F]: 15 kΩ</li> <li>10°C [50°F]: 9.7 kΩ</li> <li>20°C [68°F] : 6.4 kΩ</li> <li>30°C [86°F] : 4.3 kΩ</li> <li>40°C [104°F] : 3.1 kΩ</li> </ul> </li> <li>■ Check the connector contact.</li> </ul> When no fault is found, the indoor board is a failure.

CITY MULTI				PUCY- YKA, YKD, YKE	
Outdoor unit	Indoor unit	Remote controller	FAULT CODE	Description	
<i>*Fault codes in () indicates Preliminary error code</i>					
○	-	-	5102 (1217)	Temperature sensor fault - HIC bypass circuit outlet temperature (TH2)	
				Temperature sensor fault - Pipe temperature at heatexchanger outlet (TH3)	
				Temperature sensor fault - Outdoor unit discharge temperature (TH4)	
				Temperature sensor fault- HIC circuit outlet temperature (TH6)	
			5103 (1205)	Temperature sensor fault- Outside temperature (TH7)	
				Compressor shell bottom temperature sensor fault (TH15)	
				<ul style="list-style-type: none"> <li>■ Check thermistor resistance.</li> <li>■ Check for pinched lead wire.</li> <li>■ Check for wire coating.</li> <li>■ Check connector.</li> <li>■ Check for wire.</li> </ul>	
			5104 (1202)		
			5106 (1216)	<ul style="list-style-type: none"> <li>■ Check the intake temperature of the sensor with the LED monitor.</li> </ul>	
				When the temperature is far different from the actual temperature, replace the control board.	
				Short detection	Open detection
			5107 (1221)	TH2 70°C [158°F] and above (0.4 kΩ)	-40°C [-40°F] and below (130 kΩ)
				TH3 110°C [230°F] and above (0.4 kΩ)	-40°C [-40°F] and below (130 kΩ)
				TH4 240°C [464°F] and above (0.57 kΩ)	0°C [32°F] and below (698 kΩ)
			5115 (1204)	TH6 70°C [158°F] and above (1.14 kΩ)	-40°C [-40°F] and below (130 kΩ)
				TH7 110°C [230°F] and above (0.4 kΩ)	-40°C [-40°F] and below (130 kΩ)
				TH15 110°C [230°F] and above (0.4 kΩ)	-40°C [-40°F] and below (130 kΩ)
○	-	-	5110 (1214)	Backup operation	
				Temperature sensor fault - Heatsink temperature (THHS)	
				If the problem recurs when the unit is put into operation, replace the INV board.	
○	-	-	5201	High-pressure sensor fault (63HS1)	
				<ul style="list-style-type: none"> <li>■ Check high pressure sensor with gauge pressure</li> </ul>	

CITY MULTI				PUCY- YKA, YKD, YKE
Outdoor unit	Indoor unit	Remote controller	FAULT CODE	Description
○	-	-	5301 (4300)	Backup operation ACCT sensor fault ACCT sensor circuit fault Open-circuited IPM/Loose ACCT connector Faulty ACCT wiring <ul style="list-style-type: none"> <li>■ Check the connector (CNCT2) on the INV board for proper connection.</li> <li>■ Check the output wire for proper connection.</li> <li>■ Check inverter/ compressor</li> </ul> Replace the INV board if the problem persists after the operation is resumed.
○	-	-	5305 5306 (4305) (4306)	Backup operation Current sensor fault Current sensor circuit fault <ul style="list-style-type: none"> <li>■ Check the output wiring from the fan board for proper connection.</li> <li>■ Check fan inverter board</li> <li>■ Check outdoor unit fan</li> </ul>
○	○	○	6600	Address overlap <ul style="list-style-type: none"> <li>■ Check for duplicated addressing</li> <li>■ When air conditioning units are operating normally despite the address overlap error</li> </ul>
○	○	○	6607	No ACK error <ul style="list-style-type: none"> <li>■ Check voltage of the transmission line for ~25V</li> </ul> Turn off the outdoor/indoor units for 5 or more minutes, and turn them on again. If the error is accidental, it will run normally. If not, check:~ <ul style="list-style-type: none"> <li>When IC unit address is changed or modified during operation.</li> <li>Faulty or disconnected IC transmission wiring</li> <li>Disconnected IC connector (CN2M)</li> <li>Indoor unit controller failure</li> <li>ME remote controller failure</li> </ul>

\*Fault codes in ( ) indicates Preliminary error code

CITY MULTI				PUCY- YKA, YKD, YKE
Outdoor unit	Indoor unit	Remote controller	FAULT CODE	Description
<i>*Fault codes in () indicates Preliminary error code</i>				
○	○	○	6608	<p>No response error Turn off the outdoor/indoor units for 5 or more minutes, and turn them on again. Check transmission line condition. Farthest: &lt;200m Remote controller wiring: &lt;12m Wire diameter: &gt;1.25mm<sup>2</sup> Noise is the most possible cause of the error "6608".</p>
-	○	○	6831 6832 6833 6834	<p>MA controller signal reception error (No signal reception) MA remote controller signal transmission error (Synchronization error) MA remote controller signal transmission error (Hardware error) MA controller signal reception error (Start bit detection error)</p> <ul style="list-style-type: none"> <li>▪ Check for disconnected or loose transmission lines for the indoor units or MA remote controllers.</li> <li>▪ Confirm that the power is supplied to the main power source and the remote controller line.</li> <li>▪ Confirm that MA remote controller's capacity limit is not exceeded.</li> <li>▪ Check the sub/main setting of the MA remote controllers. One of them must be set to MAIN.</li> <li>▪ Check the transmission waveform</li> </ul> <p>When no fault is found, replace the indoor unit board or the MA remote controller. The following status can be confirmed on LED1 and 2 on the indoor unit board. If LED1 is lit, the main power source of the indoor unit is turned on. If LED2 is lit, the MA remote controller line is being powered.</p>
○	-	-	7100	<p>Total capacity error</p> <ul style="list-style-type: none"> <li>▪ Check the Qj total (capacity code total) of indoor units connected.</li> <li>▪ Check the Qj setting (capacity code) of the connected indoor unit set by the switch (SW2 on indoor unit board).</li> <li>▪ Check the setting for the model selection switch on the outdoor unit (Dipswitches SW5-3 - SW5-8 on the outdoor unit control board).</li> <li>▪ Confirm that the TB3 on the OC and OS are properly connected.</li> </ul>

CITY MULTI				PUCY- YKA, YKD, YKE
Outdoor unit	Indoor unit	Remote controller	FAULT CODE	Description
<i>*Fault codes in () indicates Preliminary error code</i>				
○	○	-	7101	<p>Capacity code setting error</p> <ul style="list-style-type: none"> <li>■ Check the model name (capacity code) of the indoor unit which has the error source address set by the switch (SW2 on indoor unit board). When the model name set by the switch is different from that of the unit connected, turn off the power source of the outdoor and the indoor units, and change the setting of the capacity code.</li> <li>■ Check the setting for the model selection switch on the outdoor unit (Dipswitches SW5-3 - SW5-8 on the outdoor unit control board).</li> </ul>
○	-	-	7102	<p>Wrong number of connected units</p> <ul style="list-style-type: none"> <li>■ Check whether the number of units connected to the outdoor terminal block (TB3) for indoor/ outdoor transmission lines does not exceed the limitation.</li> <li>■ Check disconnected transmission line of the outdoor unit</li> <li>■ Check whether the transmission line for the terminal block for centralized control (TB7) is not connected to the terminal block for the indoor/outdoor transmission line (TB3).</li> <li>■ Check the setting for the model selection switch on the outdoor unit (Dipswitches SW5-7 on the outdoor unit control board)</li> </ul>
○	-	-	7110	<p>Connection information signal transmission/reception error</p> <ul style="list-style-type: none"> <li>■ Confirm that the power to the transmission booster is not cut off by the booster being connected to the switch on the indoor unit. (The unit will not function properly unless the transmission booster is turned on.) Reset the power to the outdoor unit.</li> <li>■ Confirm that the TB3 on the OC and OS are properly connected.</li> <li>■ Check the setting for the model selection switch on the outdoor unit (Dipswitches SW5-7 on the outdoor unit control board)</li> </ul>



## CITY MULTI

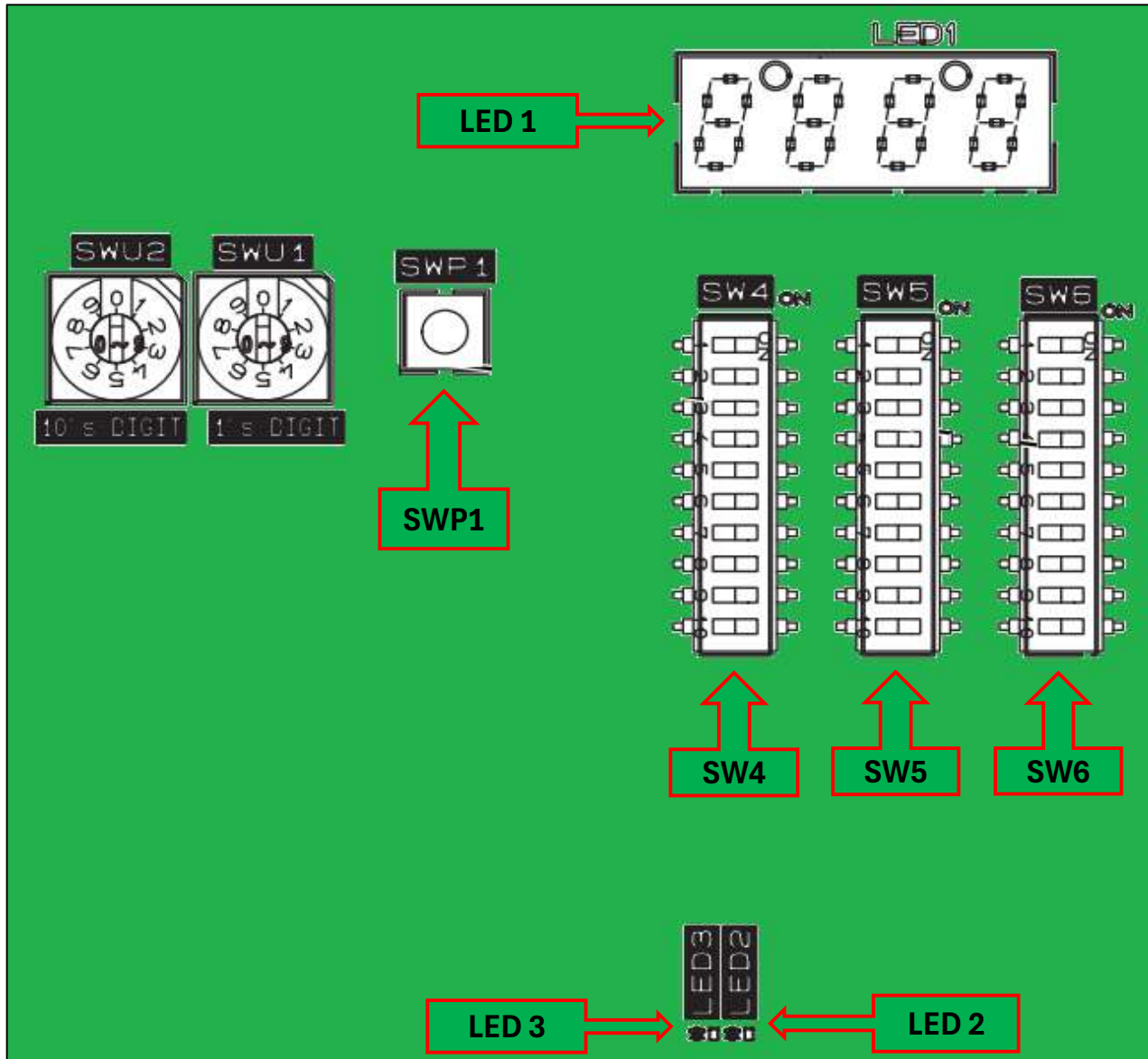
## PUCY- YKA, YKD, YKE

Outdoor unit	Indoor unit	Remote controller	FAULT CODE	Description
--------------	-------------	-------------------	------------	-------------

*\*Fault codes in ( ) indicates Preliminary error code*

○	-	-	7113 7117	<p>Function setting error (improper connection of CNTYP) Model setting error</p> <ul style="list-style-type: none"> <li>■ Check the connector CNTYP5 on the control board for proper connection.</li> <li>■ Check the connector CNTYP4 on the control board for proper connection.</li> <li>■ Check the settings of SW5-3 through SW5-6 on the control board.</li> <li>■ Check the connector CNTYP2 on the control board for proper connection.</li> <li>■ Check the connector CNTYP on the INV board for proper connection.</li> <li>■ Check the wiring between the control board and INV board.</li> </ul>
---	---	---	--------------	--

	CITY MULTI	PUCY-YKA, YKD, YKE
ITEM	OUTDOOR DIP SWITCH SETTINGS	Description





\*PUCY-YKE control pcb illustration

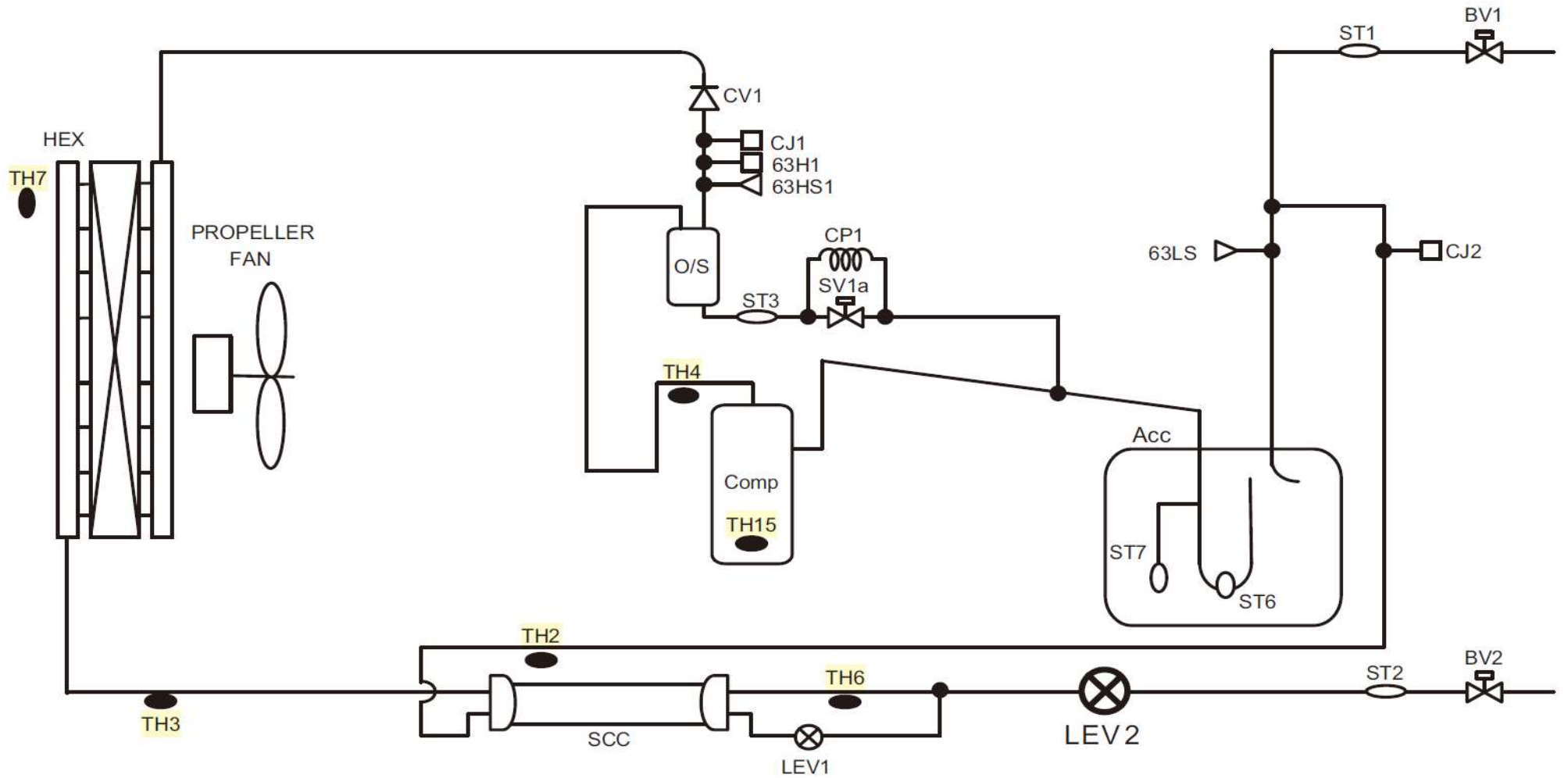
		CITY MULTI	PUCY- YKA, YKD, YKE																																	
ITEM	OUTDOOR DIP SWITCH SETTINGS		Description																																	
TH2	SW4	<table style="width: 100%; text-align: center; border-collapse: collapse;"> <tr> <td>1</td><td>2</td><td>3</td><td>4</td><td>5</td><td>6</td><td>7</td><td>8</td><td>9</td><td>10</td> <td style="width: 50px;"></td> </tr> <tr> <td></td> <td></td> <td></td> <td></td> <td></td> <td></td> <td></td> <td></td> <td></td> <td></td> <td></td> </tr> <tr> <td colspan="10"></td> <td></td> </tr> </table>	1	2	3	4	5	6	7	8	9	10																								<p style="text-align: center;">Subcool bypass outlet temperature</p> <p style="text-align: center;">The unit is [°C]</p>
1	2	3	4	5	6	7	8	9	10																											
TH3	SW4	<table style="width: 100%; text-align: center; border-collapse: collapse;"> <tr> <td>1</td><td>2</td><td>3</td><td>4</td><td>5</td><td>6</td><td>7</td><td>8</td><td>9</td><td>10</td> <td style="width: 50px;"></td> </tr> <tr> <td></td> <td></td> <td></td> <td></td> <td></td> <td></td> <td></td> <td></td> <td></td> <td></td> <td></td> </tr> <tr> <td colspan="10"></td> <td></td> </tr> </table>	1	2	3	4	5	6	7	8	9	10																								<p style="text-align: center;">Pipe temperature</p> <p style="text-align: center;">The unit is [°C]</p>
1	2	3	4	5	6	7	8	9	10																											
TH4	SW4	<table style="width: 100%; text-align: center; border-collapse: collapse;"> <tr> <td>1</td><td>2</td><td>3</td><td>4</td><td>5</td><td>6</td><td>7</td><td>8</td><td>9</td><td>10</td> <td style="width: 50px;"></td> </tr> <tr> <td></td> <td></td> <td></td> <td></td> <td></td> <td></td> <td></td> <td></td> <td></td> <td></td> <td></td> </tr> <tr> <td colspan="10"></td> <td></td> </tr> </table>	1	2	3	4	5	6	7	8	9	10																								<p style="text-align: center;">Discharge pipe temperature</p> <p style="text-align: center;">The unit is [°C]</p>
1	2	3	4	5	6	7	8	9	10																											
TH6	SW4	<table style="width: 100%; text-align: center; border-collapse: collapse;"> <tr> <td>1</td><td>2</td><td>3</td><td>4</td><td>5</td><td>6</td><td>7</td><td>8</td><td>9</td><td>10</td> <td style="width: 50px;"></td> </tr> <tr> <td></td> <td></td> <td></td> <td></td> <td></td> <td></td> <td></td> <td></td> <td></td> <td></td> <td></td> </tr> <tr> <td colspan="10"></td> <td></td> </tr> </table>	1	2	3	4	5	6	7	8	9	10																								<p style="text-align: center;">Subcooled liquid refrigerant temperature</p> <p style="text-align: center;">The unit is [°C]</p>
1	2	3	4	5	6	7	8	9	10																											

		CITY MULTI	PUCY- YKA, YKD, YKE																																	
ITEM	OUTDOOR DIP SWITCH SETTINGS		Description																																	
TH7	SW4	<table style="width: 100%; text-align: center;"> <tr> <td>1</td><td>2</td><td>3</td><td>4</td><td>5</td><td>6</td><td>7</td><td>8</td><td>9</td><td>10</td> <td style="width: 50px;"></td> </tr> <tr> <td></td><td></td><td></td><td></td><td></td><td></td><td></td><td></td><td></td><td></td> <td></td> </tr> <tr> <td></td><td></td><td></td><td></td><td></td><td></td><td></td><td></td><td></td><td></td> <td></td> </tr> </table>	1	2	3	4	5	6	7	8	9	10																								<p>Outdoor ambient temperature</p> <p>The unit is [°C]</p>
1	2	3	4	5	6	7	8	9	10																											
TH15	SW4	<table style="width: 100%; text-align: center;"> <tr> <td>1</td><td>2</td><td>3</td><td>4</td><td>5</td><td>6</td><td>7</td><td>8</td><td>9</td><td>10</td> <td style="width: 50px;"></td> </tr> <tr> <td></td><td></td><td></td><td></td><td></td><td></td><td></td><td></td><td></td><td></td> <td></td> </tr> <tr> <td></td><td></td><td></td><td></td><td></td><td></td><td></td><td></td><td></td><td></td> <td></td> </tr> </table>	1	2	3	4	5	6	7	8	9	10																								<p>Compressor shell bottom temperature</p> <p>The unit is [°C]</p>
1	2	3	4	5	6	7	8	9	10																											
HPS	SW4	<table style="width: 100%; text-align: center;"> <tr> <td>1</td><td>2</td><td>3</td><td>4</td><td>5</td><td>6</td><td>7</td><td>8</td><td>9</td><td>10</td> <td style="width: 50px;"></td> </tr> <tr> <td></td><td></td><td></td><td></td><td></td><td></td><td></td><td></td><td></td><td></td> <td></td> </tr> <tr> <td></td><td></td><td></td><td></td><td></td><td></td><td></td><td></td><td></td><td></td> <td></td> </tr> </table>	1	2	3	4	5	6	7	8	9	10																								<p>Discharge pressure</p> <p>The unit is [kgf/cm2]</p> <p>&lt;multiply by 14.2 for PSI&gt;</p>
1	2	3	4	5	6	7	8	9	10																											
LPS	SW4	<table style="width: 100%; text-align: center;"> <tr> <td>1</td><td>2</td><td>3</td><td>4</td><td>5</td><td>6</td><td>7</td><td>8</td><td>9</td><td>10</td> <td style="width: 50px;"></td> </tr> <tr> <td></td><td></td><td></td><td></td><td></td><td></td><td></td><td></td><td></td><td></td> <td></td> </tr> <tr> <td></td><td></td><td></td><td></td><td></td><td></td><td></td><td></td><td></td><td></td> <td></td> </tr> </table>	1	2	3	4	5	6	7	8	9	10																								<p>Low pressure</p> <p>The unit is [kgf/cm2]</p> <p>&lt;multiply by 14.2 for PSI&gt;</p>
1	2	3	4	5	6	7	8	9	10																											

	CITY MULTI										PUCY- YKA, YKD, YKE			
ITEM	OUTDOOR DIP SWITCH SETTINGS										Description			
Comp Frequency Hz	SW4	1	2	3	4	5	6	7	8	9	10	ON	OFF	Control data [ Hz ]
Latest error info	SW4	1	2	3	4	5	6	7	8	9	10	ON	OFF	Address and error codes highlighted If no errors are detected, "---- " appears on the display. Preliminary error information of the OS does not appear on the OC. Neither preliminary error information of the OC nor error information of the IC appears on the OS.
Indoor connection info	SW4	1	2	3	4	5	6	7	8	9	10	ON	OFF	IC/FU address

	CITY MULTI	PUCY- YKA, YKD, YKE																																	
ITEM	OUTDOOR DIP SWITCH SETTINGS	Description																																	
Test run	<p>SW4</p> <table border="0"> <tr> <td>1</td><td>2</td><td>3</td><td>4</td><td>5</td><td>6</td><td>7</td><td>8</td><td>9</td><td>10</td> <td>ON</td> </tr> <tr> <td></td> <td></td> <td></td> <td></td> <td></td> <td></td> <td></td> <td></td> <td></td> <td></td> <td></td> </tr> <tr> <td></td><td></td><td></td><td></td><td></td><td></td><td></td><td></td><td></td><td></td> <td>OFF</td> </tr> </table>	1	2	3	4	5	6	7	8	9	10	ON																						OFF	<p>ON (LED3 Lit) Sends a test-run signal to all IC</p> <p>OFF (LED 3 Unlit) Stops all Ics</p> <p>Anytime after power on</p> <p>Only the switch on OC needs to be set for the setting to be effective.</p>
	1	2	3	4	5	6	7	8	9	10	ON																								
										OFF																									
<p>SW6</p> <table border="0"> <tr> <td>1</td><td>2</td><td>3</td><td>4</td><td>5</td><td>6</td><td>7</td><td>8</td><td>9</td><td>10</td> <td>ON</td> </tr> <tr> <td></td> <td></td> <td></td> <td></td> <td></td> <td></td> <td></td> <td></td> <td></td> <td></td> <td></td> </tr> <tr> <td></td><td></td><td></td><td></td><td></td><td></td><td></td><td></td><td></td><td></td> <td>OFF</td> </tr> </table>	1	2	3	4	5	6	7	8	9	10	ON																						OFF		
1	2	3	4	5	6	7	8	9	10	ON																									
										OFF																									
<p>SWP1</p>  <p>After the above setting should observe '769' on LED display.</p> <p>To proceed press &amp; hold SWP1 for 2 secs</p>																																			

	CITY MULTI	PUCY- YKA, YKD, YKE																						
ITEM	OUTDOOR DIP SWITCH SETTINGS	Description																						
Clear error	<p>SW4</p> <table border="0"> <tr> <td>1</td><td>2</td><td>3</td><td>4</td><td>5</td><td>6</td><td>7</td><td>8</td><td>9</td><td>10</td> <td style="text-align: right;">ON</td> </tr> <tr> <td></td><td></td><td></td><td></td><td></td><td></td><td></td><td></td><td></td><td></td> <td style="text-align: right;">OFF</td> </tr> </table>	1	2	3	4	5	6	7	8	9	10	ON											OFF	<p>ON (LED3 Lit) Deleted (IC/OC)</p> <p>OFF (LED 3 Unlit) Retained (IC/OC)</p> <p>Anytime after power on</p> <p>The switches on both the OC and OS need to be set.</p>
	1	2	3	4	5	6	7	8	9	10	ON													
											OFF													
<p>SW6</p> <table border="0"> <tr> <td>1</td><td>2</td><td>3</td><td>4</td><td>5</td><td>6</td><td>7</td><td>8</td><td>9</td><td>10</td> <td style="text-align: right;">ON</td> </tr> <tr> <td></td><td></td><td></td><td></td><td></td><td></td><td></td><td></td><td></td><td></td> <td style="text-align: right;">OFF</td> </tr> </table>	1	2	3	4	5	6	7	8	9	10	ON											OFF		
1	2	3	4	5	6	7	8	9	10	ON														
										OFF														
<p>SWP1</p>  <p>After the above setting should observe '896' on LED display.</p> <p>To proceed press &amp; hold SWP1 for 2 secs</p>																								



\*PUCY-YKE refrigerant circuit illustration



CITY MULTI				PUMY- CP
Outdoor unit	Indoor unit	Remote controller	FAULT CODE	Description

\*Fault codes in ( ) indicates 2 digits check code

○	-	-	0403 (Ed)	Serial communication error 1. Wire breakage or contact failure of connector CN2 or CN4 2. Malfunction of power board communication circuit on outdoor controller board 3. Malfunction of communication circuit on outdoor power board
○	-	-	1102 (U2)	Compressor temperature trouble 1. Malfunction of stop valve 2. Over-heated compressor operation caused by shortage of refrigerant 3. Defective thermistor 4. Defective outdoor controller board 5. LEV performance failure 6. Defective indoor controller board 7. Clogged refrigerant system caused by foreign object 8. Refrigerant shortage while in heating operation (Refrigerant liquid accumulation in compressor while indoor unit is OFF/thermo-OFF.)

CITY MULTI				PUMY- CP
Outdoor unit	Indoor unit	Remote controller	FAULT CODE	Description
				<p><i>*Fault codes in () indicates 2 digits check code</i></p>
○	-	-	1302 (UE)	<p>High pressure trouble</p> <ol style="list-style-type: none"> <li>1. Defective operation of stop valve (not fully open)</li> <li>2. Clogged or broken pipe</li> <li>3. Malfunction or locked outdoor fan motor</li> <li>4. Short-cycle of outdoor unit</li> <li>5. Dirt of outdoor heat exchanger</li> <li>6. Remote controller transmitting error caused by noise interference</li> <li>7. Contact failure of the outdoor controller board connector</li> <li>8. Defective outdoor controller board</li> <li>9. Short-cycle of indoor unit</li> <li>10. Decreased airflow, clogged filter, or dirt on indoor unit.</li> <li>11. Malfunction or locked indoor fan motor</li> <li>12. Decreased airflow caused by defective inspection of outdoor temperature thermistor (It detects lower temperature than actual temperature.)</li> <li>13. Indoor LEV performance failure</li> <li>14. Malfunction of fan driving circuit</li> <li>15. SV1 performance failure</li> <li>16. Defective high pressure sensor</li> <li>17. Defective high pressure sensor input circuit on outdoor controller board</li> </ol>
○	-	-	1500 (U7)	<p>Superheat due to low discharge temperature trouble</p> <ol style="list-style-type: none"> <li>1. Disconnection or loose connection of TH4</li> <li>2. Defective holder of TH4</li> <li>3. Disconnection of LEV coil</li> <li>4. Disconnection of LEV connector</li> <li>5. LEV performance failure</li> </ol>

CITY MULTI				PUMY- CP
Outdoor unit	Indoor unit	Remote controller	FAULT CODE	Description
○	-	-	1501 (U2)	Refrigerant shortage trouble 1. Defective operation of stop valve (not fully open) 2. Defective thermistor 3. Defective outdoor controller board 4. Indoor LEV performance failure 5. Gas leakage or shortage 6. Defective 63HS Closed valve in cooling mode 1. Outdoor liquid/gas valve is closed. 2. Malfunction of outdoor LEV (LEV-A) (blockage)
○	-	-	1503 (P6)	Freeze protection of Branch box or Indoor unit 1. Wrong piping connection between indoor unit and branch box 2. Miswiring between indoor unit and branch box 3. Miswiring of LEV in branch box or indoor unit 4. Malfunction of LEV in branch box or indoor unit
○	-	-	1580 (EF)	4-way valve trouble in heating mode 1. 4-way valve failure 2. Disconnection or failure of 4-way valve coil 3. Clogged drain pipe 4. Disconnection or loose connection of connectors 5. Malfunction of input circuit on outdoor multi controller circuit board 6. Defective outdoor power circuit board
-	○	-	2500 (PA)	Water leakage
-	○	-	2502 (P5)	Drain overflow protection
-	○	-	2503 (P4)	Drain sensor trouble

\*Fault codes in ( ) indicates 2 digits check code

CITY MULTI				PUMY- CP
Outdoor unit	Indoor unit	Remote controller	FAULT CODE	Description

\*Fault codes in ( ) indicates 2 digits check code

○	-	-	4100 (UF)	Compressor current interruption (locked compressor) 1. Closed stop valve 2. Decrease of power supply voltage 3. Looseness, disconnection or converse of compressor wiring connection 4. Incorrect DIP-SW setting of model selection on the outdoor controller board 5. Defective compressor 6. Defective outdoor power circuit board
-	○	-	4114 (Pb)	Fan trouble (indoor)
○	-	-	4210 (UP)	Compressor overcurrent interruption/failure in 12 VDC power supply circuit on power circuit board 1. Closed outdoor stop valve 2. Decrease of power supply voltage 3. Looseness, disconnection or reverse phase of compressor wiring connection 4. Malfunction of indoor/outdoor fan 5. Short-cycle of indoor/outdoor unit 6. Model selection error upon replacement of outdoor multi controller circuit board 7. Malfunction of input circuit on outdoor multi controller circuit board 8. Defective compressor 9. Defective outdoor power circuit board

CITY MULTI				PUMY- CP
Outdoor unit	Indoor unit	Remote controller	FAULT CODE	Description
○	-	-	4220 (U9)	Undervoltage/overvoltage/PAM error/L1 open phase/power synchronization signal error 1. Decrease/increase of power supply voltage 2. L1 open-phase (Y model only) 3. Primary current sensor failure 4. Disconnection of compressor wiring 5. Malfunction of 52C relay 6. Defective outdoor power circuit board 7. Malfunction of 52C relay driving circuit on outdoor multi controller circuit board 8. Disconnection of CN5 (Y model only) 9. Disconnection of CN2 10. Malfunction of primary current detecting circuit on outdoor power circuit board 11. Malfunction of resistor connected to 52C relay on outdoor power circuit board (Y model only)
○	-	-	4230 (U5)	Heat sink temperature trouble 1. Blocked outdoor fan 2. Malfunction of outdoor fan motor 3. Blocked airflow path 4. Rise of ambient temperature 5. Characteristic defect of thermistor 6. Malfunction of input circuit on outdoor power board 7. Malfunction of outdoor fan driving circuit
○	-	-	4250 (U6)	Power module trouble or overcurrent trouble 1. Short-circuit caused by looseness or disconnection of compressor wiring 2. Defective compressor 3. Defective outdoor power circuit board
○	-	-	4400 (U8)	Fan trouble (outdoor) 1. Malfunction of fan motor 2. Disconnection of CNF connector 3. Defective outdoor multi controller circuit board

\*Fault codes in ( ) indicates 2 digits check code

CITY MULTI				PUMY- CP
Outdoor unit	Indoor unit	Remote controller	FAULT CODE	Description
-	○	-	5101 (U3)	Air inlet thermistor (TH21) open/short or Compressor temperature thermistor (TH4) open/short
○	-	-		1. Disconnection or contact failure of connectors 2. Characteristic defect of thermistor 3. Defective outdoor multi controller circuit board
-	○	-	5102 (U4)	Liquid pipe temperature thermistor (TH22) open/short or Suction pipe temperature thermistor (TH6) open/short
○	-	-		1. Disconnection or contact failure of connectors 2. Characteristic defect of thermistor 3. Defective outdoor multi controller circuit board
-	○	-	5103 (U4)	Gas pipe temperature thermistor (TH23) open/short
○	-	-	5105 (U4)	Outdoor liquid pipe temperature thermistor (TH3) open/short 1. Disconnection or contact failure of connectors 2. Characteristic defect of thermistor 3. Defective outdoor multi controller circuit board
○	-	-	5106 (U4)	Ambient thermistor (TH7) open/short 1. Disconnection or contact failure of connectors 2. Characteristic defect of thermistor 3. Defective outdoor multi controller circuit board
○	-	-	5109 (U4)	HIC pipe temperature thermistor (TH2) open/short 1. Disconnection or contact failure of connectors 2. Characteristic defect of thermistor 3. Defective outdoor multi controller circuit board
○	-	-	5110 (U4)	Heat sink temperature thermistor (TH8) open/short 1. Disconnection or contact failure of connectors 2. Characteristic defect of thermistor 3. Defective outdoor multi controller circuit board

\*Fault codes in ( ) indicates 2 digits check code

CITY MULTI				PUMY- CP
Outdoor unit	Indoor unit	Remote controller	FAULT CODE	Description
<i>*Fault codes in () indicates 2 digits check code</i>				
○	-	-	5201 (F5)	High pressure sensor (63HS) trouble 1. Defective high pressure sensor 2. Decrease of internal pressure caused by gas leakage 3. Disconnection or contact failure of connector 4. Malfunction of input circuit on outdoor multi controller circuit board
○	-	-	5202 (F3)	Low pressure sensor (63LS) trouble 1. Defective low pressure sensor 2. Decrease of internal pressure caused by gas leakage 3. Disconnection or contact failure of connector 4. Malfunction of input circuit on outdoor multi controller circuit board
○	-	-	5300 (UH)	Current sensor trouble 1. Decrease/trouble of power supply voltage 2. Disconnection of compressor wiring 3. Input sensor trouble on outdoor power circuit board
-	○	-	5701 (P4)	Contact failure of drain float switch
○	○	○	6600 (A0)	Duplex address error 1. There are 2 units or more with the same address in their controller among outdoor unit, indoor unit, Fresh Master, Lossnay or remote controller 2. Noise interference on indoor/outdoor connectors
○	○	○	6602 (A2)	Transmission processor hardware error 1. A transmitting data collision occurred because of a wiring work or polarity change has performed while the power is ON on either of the indoor/outdoor unit, Fresh Master or Lossnay 2. Malfunction of transmitting circuit on transmission processor 3. Noise interference on indoor/outdoor connectors

CITY MULTI				PUMY- CP
Outdoor unit	Indoor unit	Remote controller	FAULT CODE	Description
<i>*Fault codes in () indicates 2 digits check code</i>				
○	○	○	6603 (A3)	<p>Transmission bus BUSY error</p> <ol style="list-style-type: none"> <li>1. The transmission processor is unable to transmit due to a short-cycle voltage such as noise is mixed on the transmission line.</li> <li>2. The transmission processor is unable to transmit due to an increase of transmission data amount caused by a miswiring of the terminal block (transmission line) (TB3) and the terminal block (centralized control line) (TB7) on the outdoor unit.</li> <li>3. The share on transmission line becomes high due to a mixed transmission caused by a malfunction of repeater on the outdoor unit, which is a function to connect/disconnect transmission from/to control system and centralized control system.</li> </ol>
○	○	○	6606 (A6)	<p>Signal communication error with transmission processor</p> <ol style="list-style-type: none"> <li>1. Accidental disturbance such as noise or lightning surge</li> <li>2. Hardware malfunction of transmission processor</li> </ol>
-	○	○	6607 (A7)	<p>No ACK error - Represents a common error detection</p> <ol style="list-style-type: none"> <li>1. The previous address unit does not exist since the address switch was changed while in electric continuity status.</li> <li>2. Decline of transmission voltage/signal caused by tolerance over on transmission line <ul style="list-style-type: none"> <li>·At the furthest end: 200 m [656 ft]</li> <li>·On remote controller line: 12 m [39 ft]</li> </ul> </li> <li>3. Decline of transmission voltage/ signal due to unmatched transmission line types <ul style="list-style-type: none"> <li>·Types for shield line: CVVS, CPEVS, or MVVS</li> <li>·Line diameter: 1.25 E [AWG16] or more</li> </ul> </li> <li>4. Decline of transmission voltage/ signal due to excessive number of connected units</li> <li>5. Malfunction due to accidental disturbance such as noise or lightning surge</li> <li>6. Defect of error source controller</li> </ol> <p>No ACK error - The cause of displayed address and attribute is on the outdoor unit side</p> <ol style="list-style-type: none"> <li>1. Contact failure of indoor/outdoor unit transmission line</li> <li>2. Disconnection of transmission connector (CN2M) on indoor unit</li> <li>3. Malfunction of sending/receiving circuit on indoor/ outdoor unit</li> <li>4. Disconnection of the connectors on the circuit board</li> </ol>



CITY MULTI				PUMY- CP
Outdoor unit	Indoor unit	Remote controller	FAULT CODE	Description
				<p>No ACK error - The cause of displayed address and attribute is on the indoor unit side</p> <ol style="list-style-type: none"> <li>1. While operating with multi refrigerant system indoor units, an abnormality is detected when the indoor unit transmit signal to the remote controller during the other refrigerant-system outdoor unit is turned OFF, or within 2 minutes after it turned back ON.</li> <li>2. Contact failure of indoor unit or remote controller transmission line</li> <li>3. Disconnection of transmission connector (CN2M) on indoor unit</li> <li>4. Malfunction of sending/receiving circuit on indoor unit or remote controller</li> </ol>
	○	○	6607 (A7)	<p>No ACK error - The cause of the displayed address and attribute is on the remote controller side</p> <ol style="list-style-type: none"> <li>1. While operating with multi refrigerant system indoor units, an abnormality is detected when the indoor unit transmit signal to the remote controller during the other refrigerant-system outdoor unit is turned OFF, or within 2 minutes after it turned back ON.</li> <li>2. Contact failure of indoor unit or remote controller transmission line</li> <li>3. Disconnection of transmission connector (CN2M) on indoor unit</li> <li>4. Malfunction of sending/receiving circuit on indoor unit or remote controller</li> </ol>
				<p>No ACK error - The cause of displayed address and attribute is on the Fresh Master side</p> <ol style="list-style-type: none"> <li>1. While the indoor unit is operating with multi refrigerant system Fresh Master, an abnormality is detected when the indoor unit transmits signal to the remote controller while the outdoor unit with the same refrigerant system as the Fresh Master is turned OFF, or within 2 minutes after it turned back ON.</li> <li>2. Contact failure of indoor unit or Fresh Master transmission line</li> <li>3. Disconnection of transmission connector (CN2M) on indoor unit or Fresh Master</li> <li>4. Malfunction of sending/receiving circuit on indoor unit or Fresh Master</li> </ol>

\*Fault codes in ( ) indicates 2 digits check code

CITY MULTI				PUMY- CP
Outdoor unit	Indoor unit	Remote controller	FAULT CODE	Description
-	○	○	6607 (A7)	<p>No ACK error - The cause of displayed address and attribute is on Lossnay side</p> <ol style="list-style-type: none"> <li>1. An abnormality is detected when the indoor unit transmits signal to Lossnay while the Lossnay is turned OFF.</li> <li>2. While the indoor unit is operating with the other refrigerant Lossnay, an abnormality is detected when the indoor unit transmits signal to the Lossnay while the outdoor unit with the same refrigerant system as the Lossnay is turned OFF, or within 2 minutes after it turned back ON.</li> <li>3. Contact failure of indoor unit or Lossnay transmission line</li> <li>4. Disconnection of transmission connector (CN2M) on indoor unit</li> <li>5. Malfunction of sending/receiving circuit on indoor unit or Lossnay</li> </ol>
-	○	○	6608 (A8)	<p>No response frame error</p> <ol style="list-style-type: none"> <li>1. Continuous failure of transmission due to noise etc</li> <li>2. Decline of transmission voltage/signal caused by tolerance over on transmission line <ul style="list-style-type: none"> <li>·At the furthest end: 200 m [656 ft]</li> <li>·On remote controller line: 12 m [39 ft]</li> </ul> </li> <li>3. Decline of transmission voltage/ signal due to unmatched transmission line types <ul style="list-style-type: none"> <li>·Types for shield line: CVVS, CPEVS, or MVVS</li> <li>·Line diameter: 1.25 E [AWG16] or more</li> </ul> </li> <li>4. Accidental malfunction of error source controller</li> </ol>

\*Fault codes in ( ) indicates 2 digits check code

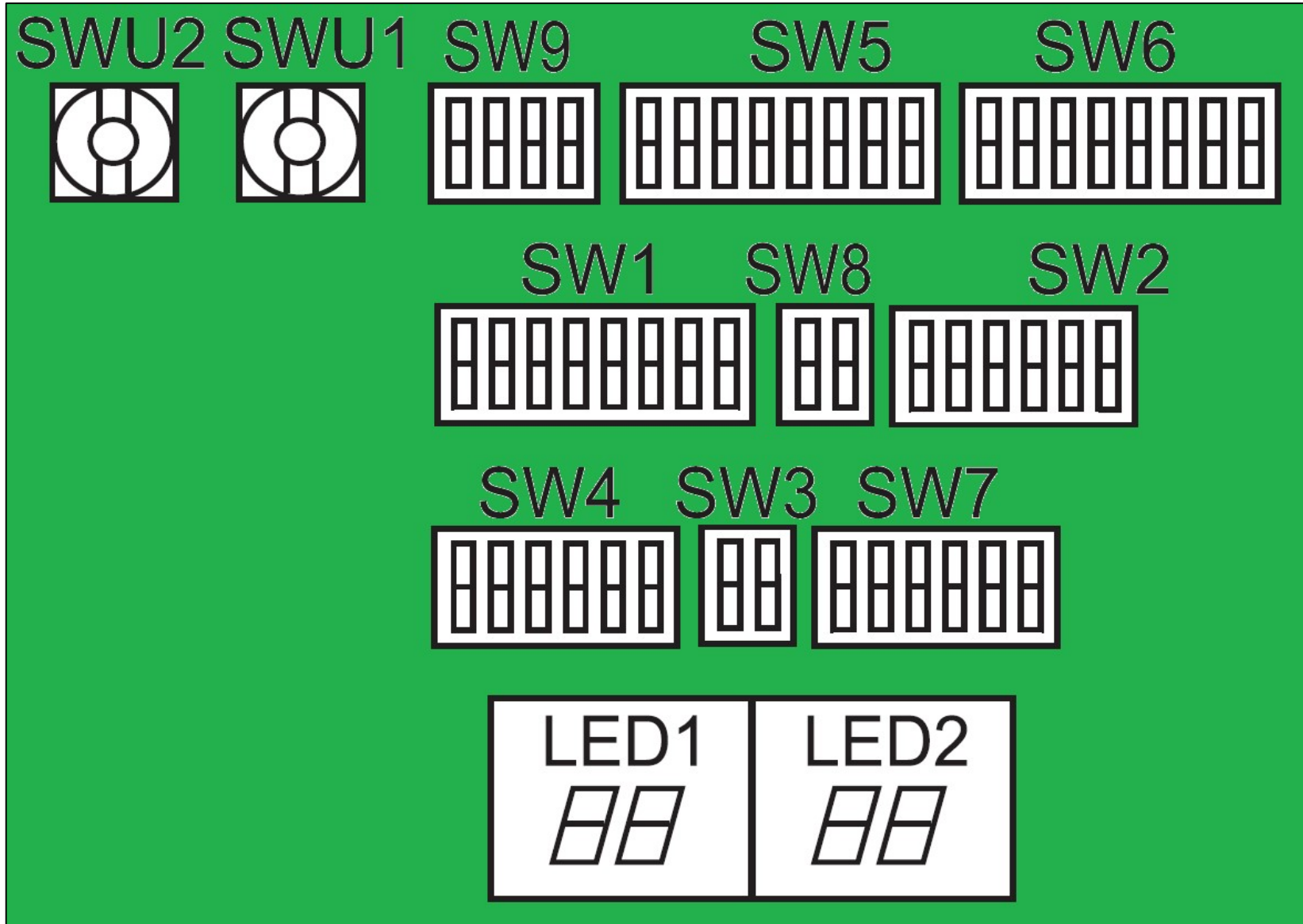
CITY MULTI				PUMY- CP
Outdoor unit	Indoor unit	Remote controller	FAULT CODE	Description
<i>*Fault codes in () indicates 2 digits check code</i>				
-	○	○	6831 (E0/E4)	<p>MA communication receive error (no receive signal)</p> <ol style="list-style-type: none"> <li>Contact failure of remote controller wirings</li> <li>Irregular Wiring (A wiring length, number of connecting remote controllers or indoor units, or a wiring thickness does not meet the conditions specified in the chapter "Electrical Work" in the indoor unit Installation Manual.)</li> <li>Malfunction of the remote controller sending/ receiving circuit on indoor unit with the LED2 is blinking.</li> <li>Malfunction of the remote controller sending/ receiving circuit</li> <li>Remote controller transmitting error caused by noise interference</li> </ol>
-	○	○	6832 (E3/E5)	<p>MA communication send error</p> <ol style="list-style-type: none"> <li>There are 2 remote controllers set as main.</li> <li>Malfunction of remote controller sending/receiving circuit</li> </ol>
-	○	○	6833 (E3/E5)	<ol style="list-style-type: none"> <li>Malfunction of sending/receiving circuit on indoor controller board</li> <li>Remote controller transmitting error caused by noise interference</li> </ol>
-	○	○	6834 (E0/E4)	<p>MA communication receive error</p>
○	-	-	7100 (EF)	<p>Total capacity error</p> <ol style="list-style-type: none"> <li>The total of number on connected indoor unit model names exceeds the specified capacity level.</li> <li>The model name code of the outdoor unit is registered wrongly.</li> </ol>
○	○	-	7101 (EF)	<p>Capacity code error</p> <p>The model name of connected indoor unit (model code) is read as incompatible.</p> <p>The connectable indoor units are:</p> <ul style="list-style-type: none"> <li>·P15 to P250 model (code 3 to 50)</li> <li>·When connecting via branch box: P22 to P100 model (code 4 to 20)</li> </ul>

CITY MULTI				PUMY- CP
Outdoor unit	Indoor unit	Remote controller	FAULT CODE	Description

\*Fault codes in ( ) indicates 2 digits check code

○	-	-	7102 (EF)	Connecting unit number error Connecting more indoor units and branch boxes than the limit. If connecting status does not comply with the following limit; 1. Connectable up to 12 indoor units 2. Connect at least 1 indoor unit (Abnormal if connected none) 3. Connectable up to 2 branch boxes
○	-	-	7105 (EF)	Address setting error There is a unit without correct address setting in the range
○	-	-	7130 (EF)	Incompatible unit combination Connecting indoor unit(s) which is not authorized to connect to the outdoor unit.

	CITY MULTI	PUMY-CP
ITEM	OUTDOOR DIP SWITCH SETTINGS	Description



*\*PUMY-CP control pcb illustration*

	CITY MULTI								PUMY-CP		
ITEM	OUTDOOR DIP SWITCH SETTINGS								Description		
TH2	SW1	1	2	3	4	5	6	7	8	ON	Themistor <HIC pipe> The unit is [°C]
TH3	SW1	1	2	3	4	5	6	7	8	ON	Themistor <Outdoor Liquid pipe> The unit is [°C]
TH4	SW1	1	2	3	4	5	6	7	8	ON	Themistor <Compressor> The unit is [°C]
TH6	SW1	1	2	3	4	5	6	7	8	ON	Themistor <Suction pipe> The unit is [°C]

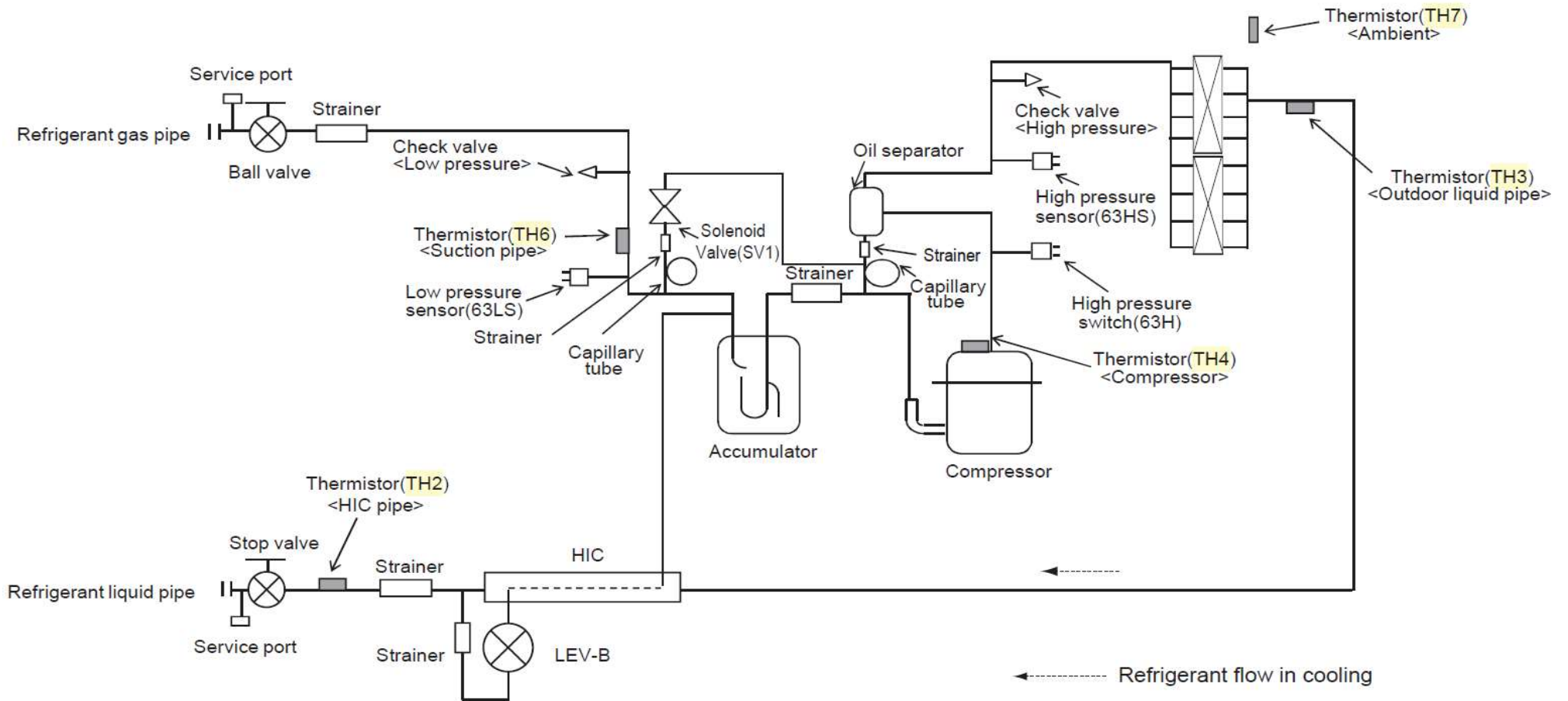
	CITY MULTI								PUMY-CP		
ITEM	OUTDOOR DIP SWITCH SETTINGS								Description		
TH7	SW1	1	2	3	4	5	6	7	8	ON	Themistor <Ambient> The unit is [°C]
HPS	SW1	1	2	3	4	5	6	7	8	ON	High Pressure The unit is [kgf/cm2] <multiply by 14.2 for PSI>
LPS	SW1	1	2	3	4	5	6	7	8	ON	Low Pressure The unit is [kgf/cm2] <multiply by 14.2 for PSI>
Comp Frequency Hz	SW1	1	2	3	4	5	6	7	8	ON	Operational frequency [ Hz ]

	CITY MULTI								PUMY-CP		
ITEM	OUTDOOR DIP SWITCH SETTINGS								Description		
Latest error info	SW1	1	2	3	4	5	6	7	8	ON	Latest abnormality code history
Indoor connection info	SW1	1	2	3	4	5	6	7	8	ON	Number of connected indoor units
Test run	SW3	1	2	ON						OFF	ON - On from Outdoor Any time after the power is turned ON.
Clear error	SW2	1	2	3	4	5	6	ON		OFF	Any time after the power is turned ON.



# CITY MULTI

# PUMY-CP



*\*PUMY-CP refrigerant circuit illustration*