



For Your *Luxury*

Mitsubishi Electric Refrigerators

Designed and engineered in the pursuit of excellence, our refrigerators have been developed with superior food preservation technologies and tested with uncompromising precision. This results in a range of feature driven refrigerators that are specially designed to keep food fresh as nature intended.





Contents

Features

Neuro Inverter
Smart Cube
Compartments and Sensors
Anti Bacteria Food Liner
Anti-Mould Door Gaskets
Washable Automatic Ice Maker
Supercool Chilling
Supercool Freezing
Soft Freezing
Hot Freezing
Vitamin Factory

Folio

MR-WX70C
MR-WX60F
MR-WX52F
MR-WX47LF
MR-B46F

Hybrid

MR-CGX56EP
MR-CGX46EN
MR-CGX41EN
MR-V50E2G
MR-V45EG
MR-F62EG
MR-FX47EN
MR-FC34EP

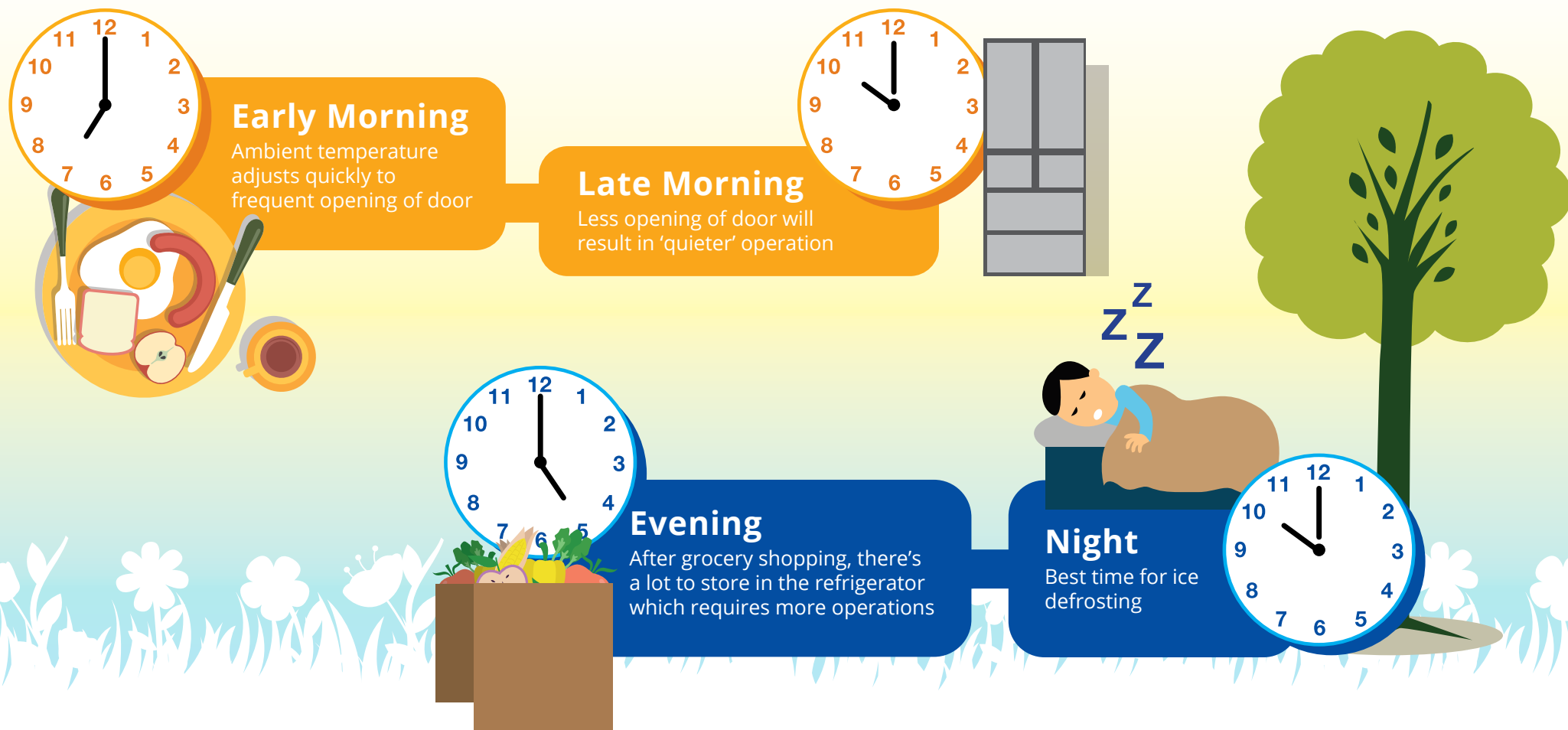
FEATURES

**NEURO
INVERTER**

Neuro Inverter

Increase energy efficiency according to your family's lifestyle.

Imagine having a refrigerator that actually memorises the usage patterns of your household at different times of the day! Thanks to our intelligent Neuro Inverter, we are able to optimise the performance of your refrigerator according to your frequency of opening its doors. This helps you save on your energy consumption. Activate the 'Eco Mode' to further save on your bills. The 'Eco Mode' logo lights up whenever the mode is on and energy saving can reach approximately 10% when all the compartments are on 'Eco Mode'.



FEATURES

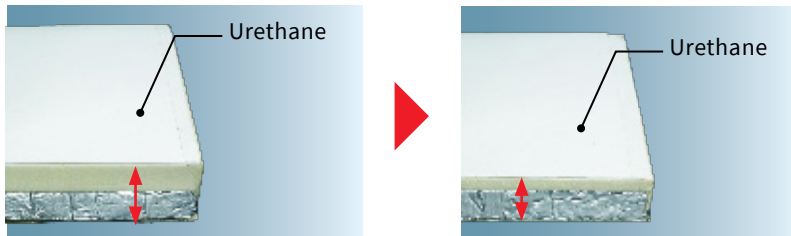


Smart Cube

Large capacity with high energy efficiency.

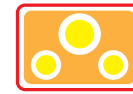
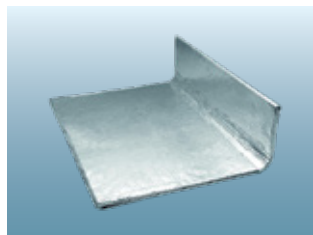


Smart Cube adopts a slim heat-insulating structure that reduces the thickness of doors and exterior panels while maintaining good heat insulation performance. Smart Cube therefore offers enhanced insulation, increased capacity and better energy savings.



Vacuum insulation panels with excellent insulation properties are used to reduce the thickness of doors and exterior panels.

Compared to conventional models, Smart Cube comes with thinner doors and exterior panels thereby offering a more spacious interior.



Compartments & Sensors

Creating an ideal environment for food storage.



All compartments are completely sealed to prevent odour transfer. Each compartment is equipped with temperature sensor which actively monitor and adjust temperature and airflow to ensure food is kept in its ideal environment.



Fresh Air Filter
Besides completely sealed compartments to prevent odour transfer, Fresh Air Filter acts as an antibacterial*1 and deodorising agent.

- Temperature Sensor
- Door Opening & Closing Sensor
- Ambient Sensor
- Defrost Sensor

*1 (Testing laboratory) General incorporated association Tokyo-to Shokuhin Eisei Kyokai. (Testing method) JIS Z 2801 Film adhesion method. (Antibacterial method) Anti bacteria filter. (Name of covered area) Filter catalyst. (Result) Removed 99.9%.

FEATURES



Anti Bacteria Food Liner & Anti-Mould Gaskets



Additional hygienic barrier offers protection against bacteria.

The food liner of the refrigerator is coated with a special silvery inorganic antibacterial material, which eliminates bacterial and prevent its growth, thus providing a safer environment for storing food.

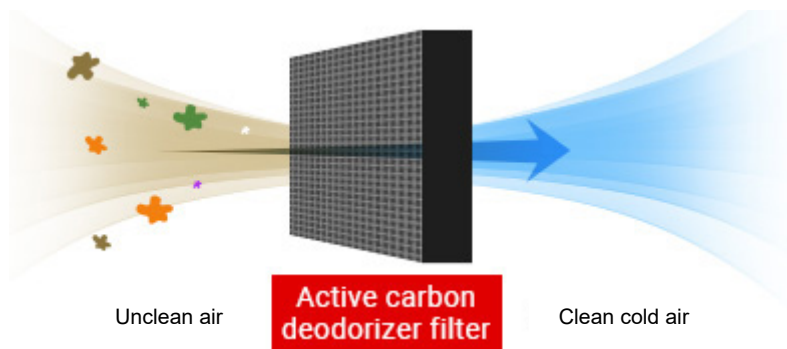


Hygienic interior with Antibacterial material

The food liner is made of "Polimaxx Banbax", a polymer material which is mixed with Nano Zinc Oxide to prevent bacteria growth and keep good hygiene. The material passed the test standard, JIS Z 2801.

Active Carbon Deodorizer

The active carbon deodorizer filter sterilizes and deodorizes the cold air circulating inside the cabinet to preserve food in clean air.



Did you know?
Our fridges incorporate Anti-Mould Door Gasket



Washable Automatic Ice Maker

Enjoy clean & tasty ice every day.

With the anti-bacterial*¹ ice tray, you can use all types of mineral water for speedy ice-making to enjoy clean and tasty ice with peace of mind. All components, including ice tray, pump, water supply pipe and filter, are detachable for easy washing.

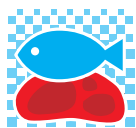


*1 (Testing laboratory) General incorporated association Kaken test centre. (Testing method) JIS Z 2801 Film adhesion method. (Antibacterial method) Antibacterial agent. (Name of covered area) Ice tray. (Result) Removed 99.9%.

*2 Reduction rate comparison of chlorine density in tap water. The initial chlorine density in tap water is about 0.6mg/L. After passing through the filter, it is about 0.3mg/L (our research).

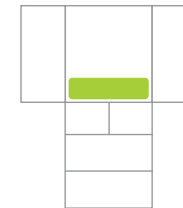
*3 When the filter is clogged or broken, replacement is necessary

FEATURES



Supercool Chilling Case













Storing below freezing point keeps meat and fish fresh longer.



Freezing ruptures the cell walls of meat, causing it to lose up to 70% of its flavour and texture. With our Supercool Chilling Case, fish and meat can now be kept fresh for up to 7 days at a temperature of between -3°C and 0°C without freezing! With no thawing required, your meal can be ready in minutes. This makes cooking a real breeze!

Recommended Storage Periods

- ◆ The following storage periods are recommended based on Mitsubishi Electric's in-house testing. The storage period and discolouration may differ depending on the kind of food, the amount of food and its freshness at point of refrigeration.

Approximately 7 days ^{*1} ^{*2}	Approximately 5 days ^{*1} ^{*3}	Approximately 3 days ^{*1} ^{*4}
For Cooking	For Cooking	For Eating Raw
 Ground Beef  Sirloin Steak	 Horse Mackerel	 Tuna
 Chicken Thigh  Pork Belly	 Sardines	 Minced Tuna
 Pork Tenderloin	 Saury	 Squid
		For Cooking  Prawn



Chilled Case

Japan model
MR-JX61X in
2013, after 7 days



Supercool Chilling Case
Reduces discolouration
by approximately
11%^{*5}

Ground beef in 7 days



Preserve freshness for a longer time even if you buy in large quantity.

Buy food for the weekend and store them in the Supercool Chilling Case!

^{*1} It is judged by looking at the K value, viable bacteria count, oxidation and other factors. Supercool chilling case is set as supercool chilling mode in MR-WX71Y. Refrigerator and chilled case comparisons are based on the "Mid" setting of refrigerator room in MR-JX61X (2013 model). Supercool chilling case can be set as supercool chilling mode or chilling mode. If supercool chilling case is not set as supercool chilling mode, storage period is that of chilling mode.

^{*2} Ambient temperature is 25°C, viable bacteria count of ground beef in each room (unit: CFU/g), against initial value of 6×10⁴, supercool chilling 7 days: 2×10⁶, chilled 4 days: 3×10⁶, refrigerator 3 days: 1×10⁷. In general, viable bacteria count of 10⁷ is considered as the initial stage of decomposition.

^{*3} (Testing laboratory) Nippon Ham Kabushikikaisha Chuo Kenkyuusho. Ambient temperature is 25°C, K value of pacific saury in each room, against initial value of 29%, supercool chilling 5 days: 43%, chilled 3 days: 40%, refrigerator 2 days: 42%. K value is the index to mainly show the freshness of fish and 60% and above is considered as the initial stage of decomposition.

^{*4} (Testing laboratory) Nippon Ham Kabushikikaisha Chuo Kenkyuusho. Ambient temperature is 25°C, K value of tuna in each room, against initial value of 12%, supercool chilling 3 days: 20%, chilled 2 days: 19%, refrigerator 1day: 17%. K value is the index to mainly show the freshness of fish and 20% and below is considered good for sashimi.

^{*5} Ambient temperature is 25°C. Supercool chilling case is set as Supercool chilling mode, chilled case is set as middle setting. 110g of ground meat is wrapped and stored for 7 days to compare the colour change (fading of red colour Δa*) Supercool chilling about -8.5, Chilled about -9.5.

FEATURES



Supercool Freezing



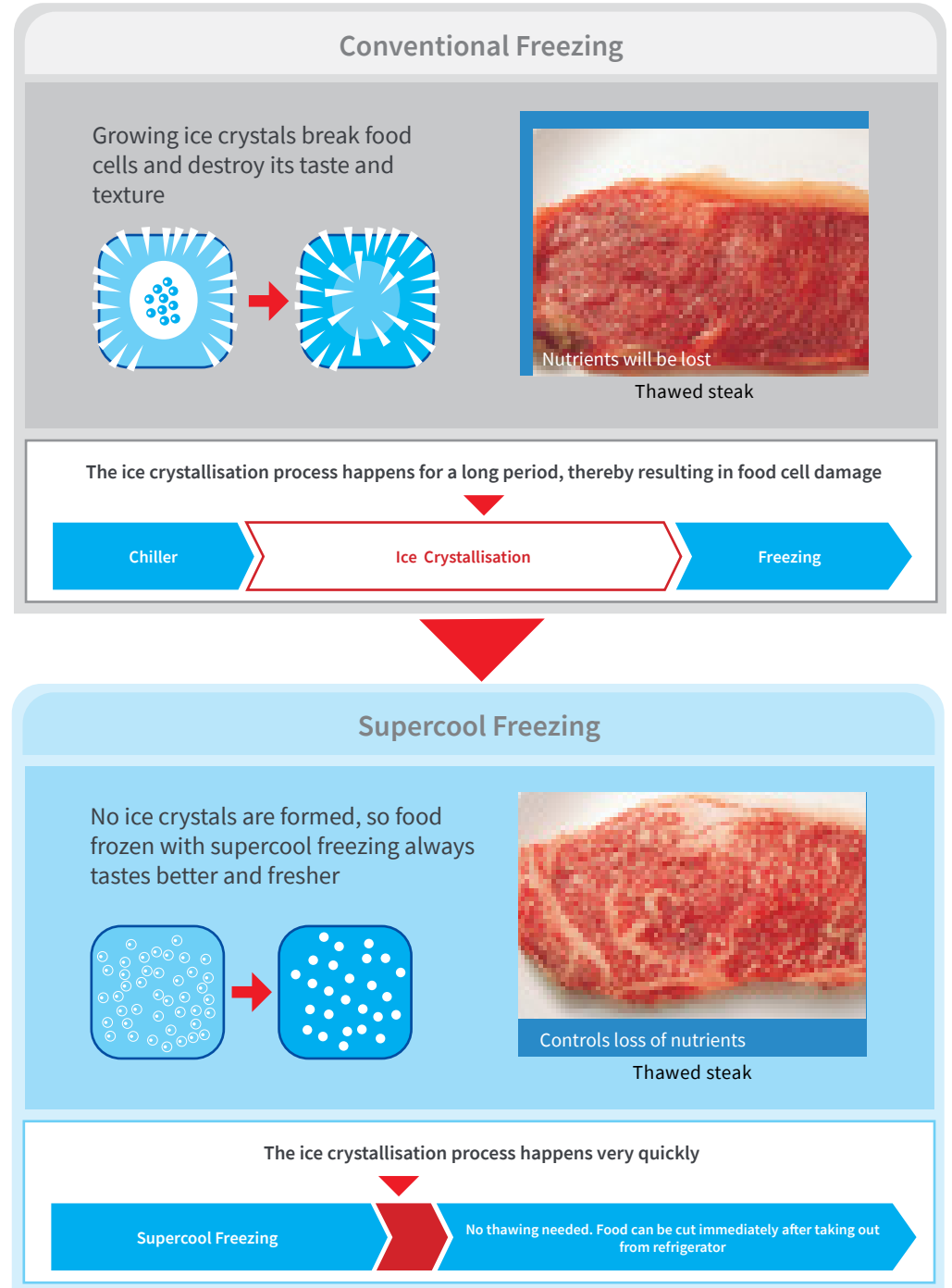
What is Supercool Freezing Technology?

Supercooling is the process of lowering the temperature of a liquid below its freezing point without it becoming a solid. With supercooling, no ice crystals are formed. That explains why food frozen with supercooling always tastes better and fresher.

Mitsubishi Electric's Versa Compartment employs the supercool freezing technology to cool food gently. Versa Compartment caters for different types of freezing – supercool freezing, soft freezing and hot freezing.



**This image is for illustration purposes only*



FEATURES



Soft Freezing

Unique technology shortens cooking time and reduces food wastage.

By preserving food at a controlled temperature of -7°C , Soft Freezing helps prevent food from premature deterioration while maintaining its texture and quality for up to 3 weeks.



Saves cooking time while reducing food wastage

Easy to cut even if the food is frozen

Faster cooking time

Meals prepared quickly!

No thawing needed.



'Soft-frozen' minced meat



Take and use only what you need

You can scoop out only what you need, saving time and leaving the extras for later use!

Easy to scoop!



"Soft-frozen" white sauce

Easy preparations!



No more wasted food as you can cut off only what you need.³

Easy to cut!



"Soft-frozen" chunk of meat

*1 Storage period varies depending on the types of food and conditions.

*2 Depending on the types, size and conditions of food, short period of defrost time may be necessary.

*3 Loss rate of amino acid in beef round: A (Normal Freezing): about 5% / B (Supercool Freezing): about 2.5%.

*4 Patent 4253775. System which applies supercool phenomenon. As of Nov 24, 2015 (Our research)

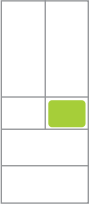
*5 Depending on the types, size and amount of food, supercool freezing result may vary. When you store food by piling up, put the food that needs to be supercooled at the top position.



Hot Freezing

Freeze freshly cooked food without cooling it down.

Hot freezing can work even for freshly cooked food with temperatures of up to 80°C ¹. You can now afford to cook large quantities and freeze the leftovers almost immediately.

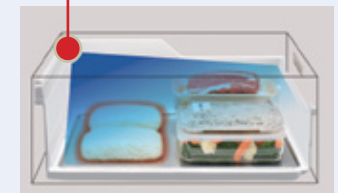


Using hot freezing, the food will retain $\frac{2}{3}$ of its moisture^{*2}



The temperature sensor is able to detect the temperature of the food. So when you place hot food in the compartment, it will immediately detect and freeze the food rapidly.

temperature sensor



*1 Hot freezing could raise energy consumption by about 15%. Keep 10mm distance between food. Please do not put food more than 80°C as it can cause deformation of the case.

*2 Comparison of water loss rate in steamed rice. If hot steamed rice is wrapped and supercool frozen: 2%, if room temperature steamed rice is wrapped and frozen: 6%.

FEATURES

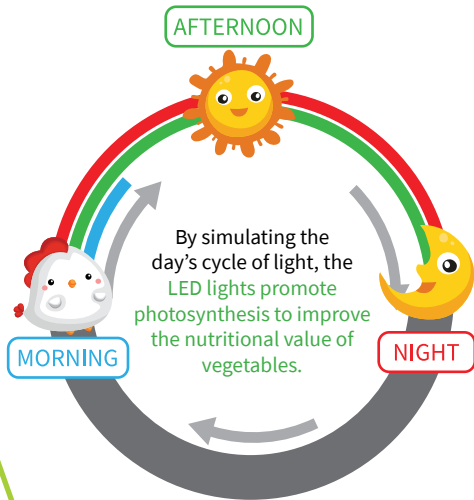


Vitamin Factory

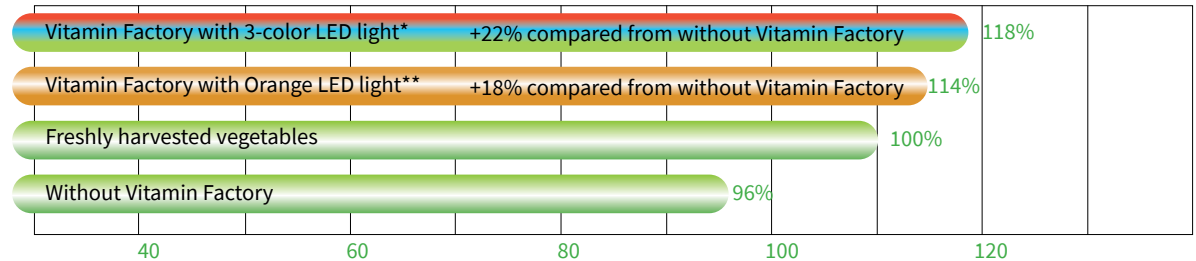
LED stimulates the photosynthesis process to keep vegetables fresh longer.

The use of LED sunlight promotes photosynthesis in the vegetable compartment. Chlorophyll remains in an active state, resulting in an increase of Vitamin C which keeps vegetables fresh and crisp. The orange LED light used in the Hybrid series can increase Vitamin C by up to 18% while the 3-colour LED lights in the Folio series can raise it by up to 22%.

Vitamin Factory acts on chlorophyll in vegetables. It stimulates the food manufacturing process (photosynthesis) keeping vegetables greener and fresher.

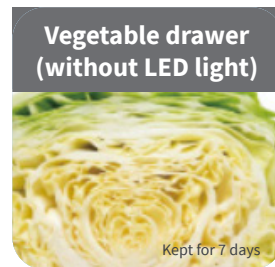


Comparing the changes in the amount of Vitamin C (after 3 days in the refrigerator)



Findings based on cabbage preserved in the vegetable compartment under LED light over a 3-day period at a temperature of approximately 5 °C and humidity of approximately 90%. Results will vary depending on the original state of the vegetables.

*Found in all Folio series except MR-WX70C. **Found in Hybrid series except MR-FC34EP & Folio MR-WX70C only.



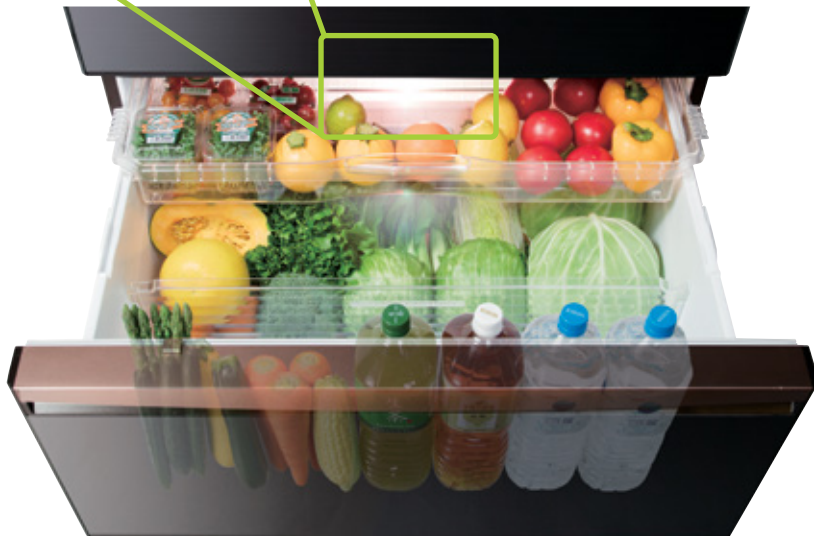
*Effective for vegetables with chlorophyll, such as leafy vegetables. Not all vegetables are suitable.

Stimulates the food manufacturing process (photosynthesis)

WX series new vegetable drawer*¹



Conventional 2011 model, MR-RX62T



Easy Drawing

Attached with easy rollers, (greaseless hard bearings), drawing out the compartment is easy even with a full load.

*¹ Ambient temperature is 20 °C. Cabbage is kept for 7 days without shrink wrap in the Vegetable compartment. Compartment remained closed for 7 days. Result varies depending on the types of vegetables, amount and conditions.

*² Vegetable room is set at 'Keep vegetable Moist' mode, kept at about 3-4 °C.



Folio

SERIES

MR-WX70C

MR-WX60F

MR-WX52F

MR-WX47LF

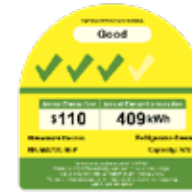
MR-B46F



MR-WX70C

Multi Door Refrigerator

Net Capacity 576L*
800(W) x 1821(H) x 738(D) mm



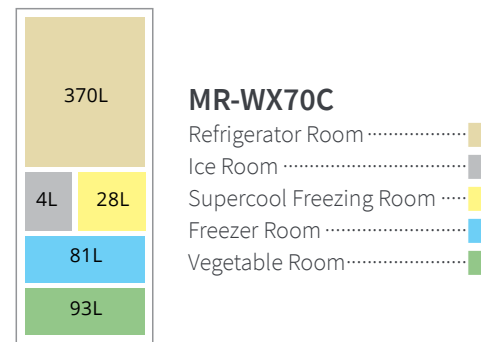
Features

- Neuro Inverter
- Spacious Interior with Smart Cube Technology
- Independent Compartments
- Wide Chiller Case
- Supercool Chilling
- Tempered Glass Shelves
- Multi Airflow Cooling System
- LED Touch Panel
- Auto Ice Maker
- Supercool Freezing
- Hot & Soft Freezing
- Vitamin Factory with Orange LED Light
- Auto Door Closer
- Door Alarm

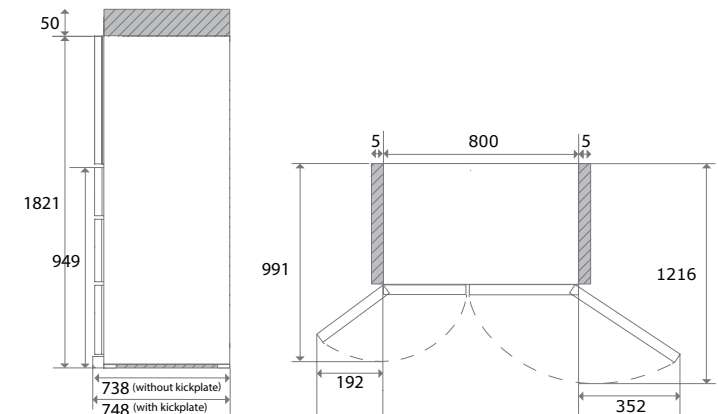


Compartment Capacity

*Net capacity based on ISO standard



Installation Dimension (mm)



Glass Brown (BR)



Glass White (W)



MR-WX60F

Multi Door Refrigerator

Net Capacity 487L*
685(W) x 1821(H) x 738(D) mm



Features

- Neuro Inverter
- Spacious Interior with Smart Cube Technology
- Independent Compartments
- Wide Chiller Case
- Supercool Chilling
- Tempered Glass Shelves
- Multi Airflow Cooling System
- LED Touch Panel
- Auto Ice Maker
- Supercool Freezing
- Hot & Soft Freezing
- Vitamin Factory with 3 Colour LED Light
- Auto Door Closer
- Door Alarm

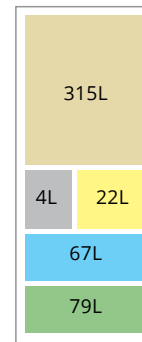


NEURO INVERTER



Compartment Capacity

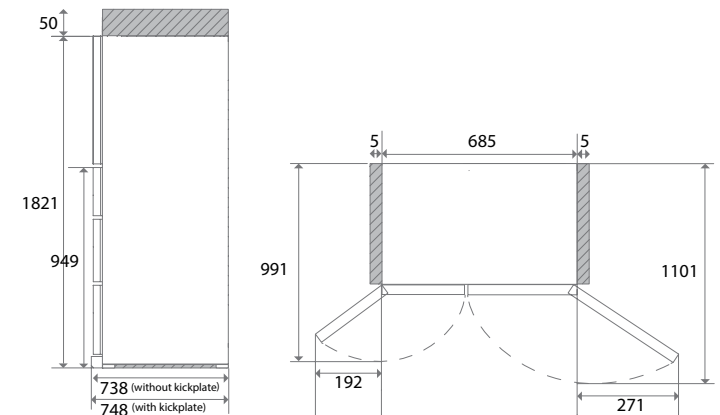
**Net capacity based on ISO standard*



MR-WX60F

- Refrigerator Room
- Ice Room
- Supercool Freezing Room
- Freezer Room
- Vegetable Room

Installation Dimension (mm)



Glass Brown (BR)



Glass White (W)



Glass Beige (F)



Glass Brown (BR)



Glass Beige (F)

MR-WX52F

Multi Door Refrigerator

Net Capacity 417L*
650(W) x 1821(H) x 699(D) mm



Features

- Neuro Inverter
- Spacious Interior with Smart Cube Technology
- Independent Compartments
- Wide Chiller Case
- Supercool Chilling
- Tempered Glass Shelves
- Multi Airflow Cooling System
- LED Touch Panel
- Auto Ice Maker
- Supercool Freezing
- Hot & Soft Freezing
- Vitamin Factory with 3 Colour LED Light
- Auto Door Closer
- Door Alarm

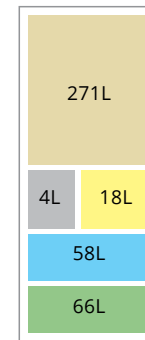


NEURO INVERTER



Compartment Capacity

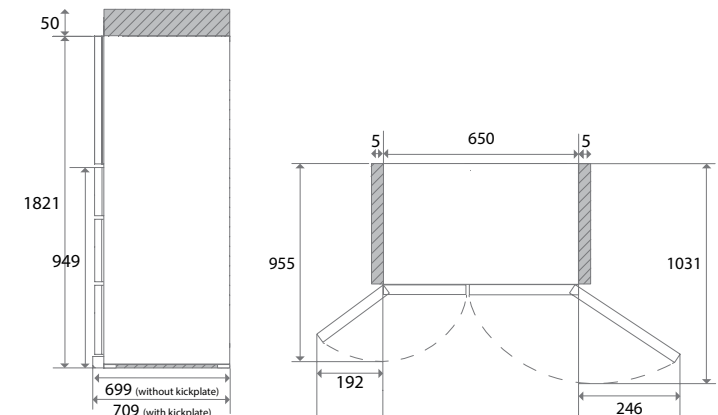
*Net capacity based on ISO standard



MR-WX52F

- Refrigerator Room
- Ice Room
- Supercool Freezing Room
- Freezer Room
- Vegetable Room

Installation Dimension (mm)



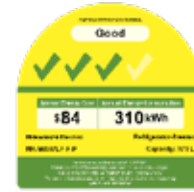


Glass Beige
(F)

MR-WX47LF

Multi Door Refrigerator

Net Capacity 371L*
650(W) x 1696(H) x 699(D) mm



Features

- Neuro Inverter
- Spacious Interior with Smart Cube Technology
- Independent Compartments
- Wide Chiller Case
- Supercool Chilling
- Tempered Glass Shelves
- Multi Airflow Cooling System
- LED Touch Panel
- Auto Ice Maker
- Supercool Freezing
- Hot & Soft Freezing
- Vitamin Factory with 3 Colour LED Light
- Auto Door Closer
- Door Alarm

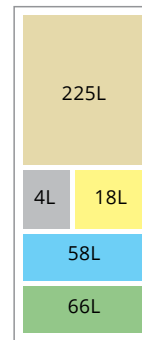


NEURO
INVERTER



Compartment Capacity

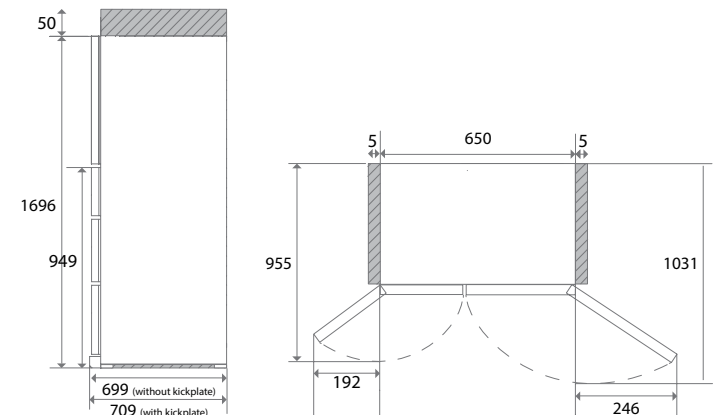
*Net capacity based on ISO standard



MR-WX47LF

- Refrigerator Room
- Ice Room
- Supercool Freezing Room
- Freezer Room
- Vegetable Room

Installation Dimension (mm)



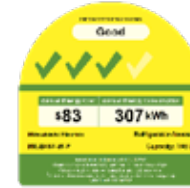


Glass White
(W)

MR-B46F

Multi Door Refrigerator

Net Capacity 366L*
600(W) x 1821(H) x 699(D) mm



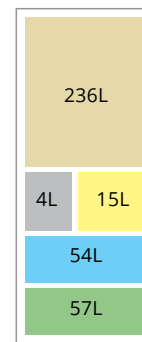
Features

- Neuro Inverter
- Spacious Interior with Smart Cube Technology
- Independent Compartments
- Wide Chiller Case
- Supercool Chilling
- Tempered Glass Shelves
- Multi Airflow Cooling System
- LED Touch Panel
- Auto Ice Maker
- Supercool Freezing
- Hot & Soft Freezing
- Vitamin Factory with 3 Colour LED Light
- Door Alarm



Compartment Capacity

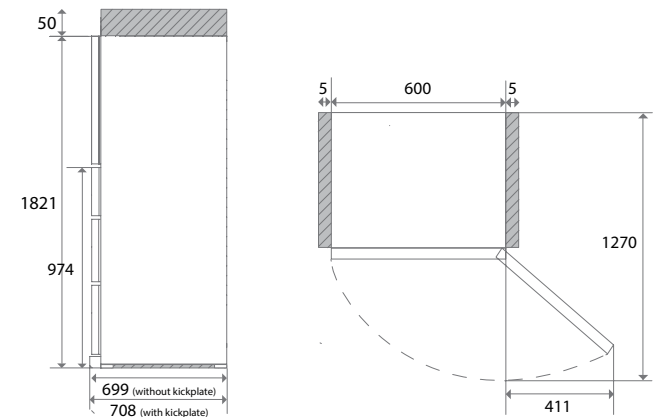
*Net capacity based on ISO standard



MR-B46F

- Refrigerator Room
- Ice Room
- Supercool Freezing Room
- Freezer Room
- Vegetable Room

Installation Dimension (mm)





HYBRID SERIES

MR-CGX56EP

MR-CGX46EN

MR-CGX41EN

MR-V50E2G

MR-V45EG

MR-F62EG

MR-FX47EN

MR-FC34EP



MR-CGX56EP

Bottom Freezer Refrigerator

Net Capacity 361L*
699(W) x 1798(H) x 709(D) mm



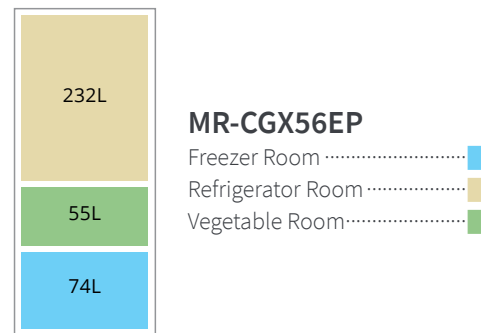
Features

- Neuro Inverter
- Anti Mould Gasket
- Supercool Chilling
- Tempered Glass Shelves
- Multi Airflow Cooling System
- Auto Ice Maker
- Vitamin Factory with Orange LED Light
- Door Alarm

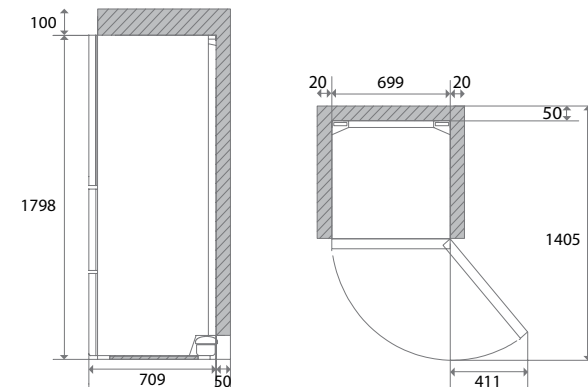


Compartment Capacity

**Net capacity based on ISO standard*



Installation Dimension



Glass Black (GBK)



Glass White (GWH)



MR-CGX46EN

Bottom Freezer Refrigerator

Net Capacity 298L*
600(W) x 1820(H) x 660(D) mm



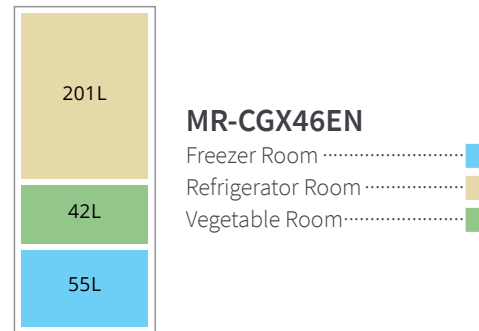
Features

- Neuro Inverter
- Anti Mould Gasket
- Supercool Chilling
- Tempered Glass Shelves
- Multi Airflow Cooling System
- Auto Ice Maker
- Vitamin Factory with Orange LED Light
- Door Alarm

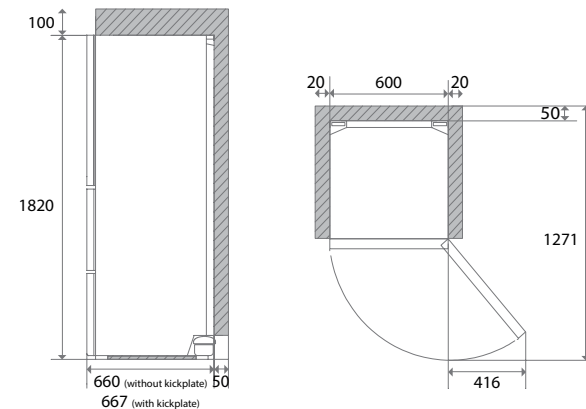


Compartment Capacity

**Net capacity based on ISO standard*



Installation Dimension



Glass Brown (GBR)



Glass White (GWH)

HYBRID SERIES



MR-CGX41EN

Bottom Freezer Refrigerator

Net Capacity 266L*
600(W) x 1698(H) x 660(D) mm



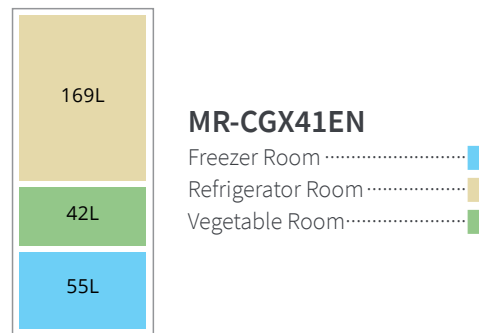
Features

- Neuro Inverter
- Anti Mould Gasket
- Supercool Chilling
- Tempered Glass Shelves
- Multi Airflow Cooling System
- Auto Ice Maker
- Vitamin Factory with Orange LED Light
- Door Alarm

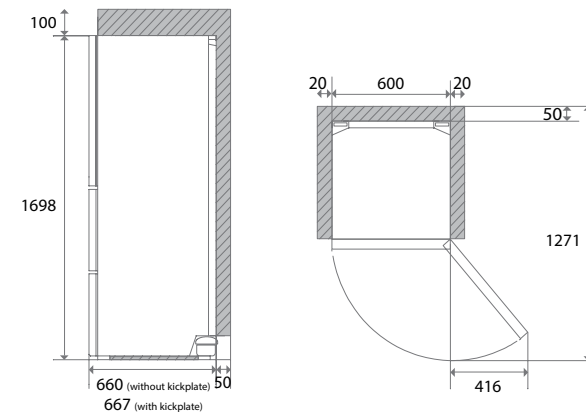


Compartment Capacity

**Net capacity based on ISO standard*



Installation Dimension



Glass Brown (GBR)



Glass White (GWH)

HYBRID SERIES



MR-V50E2G

Top Freezer Refrigerator

Net Capacity 358L*
686(W) x 1801(H) x 700(D) mm



Features

- Neuro Inverter
- Anti Bacteria Food Liner
- Anti Mould Gasket
- Tempered Glass Shelves
- Surround Cooling System
- Vitamin Factory with Orange LED Light
- Door Alarm



Compartment Capacity

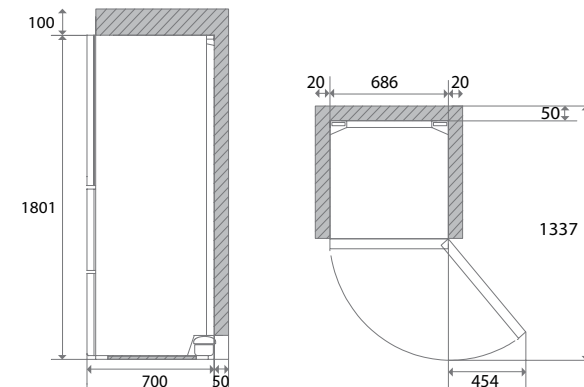
*Net capacity based on ISO standard



MR-V50E2G

- Freezer Room
- Refrigerator Room
- Vegetable Room

Installation Dimension



Shiny Black (SB)



Stainless Steel (ST)

HYBRID SERIES



MR-V45EG

Top Freezer Refrigerator

Net Capacity 343L*
635(W) x 1788(H) x 693(D) mm



Features

- Neuro Inverter
- Anti Bacteria Food Liner
- Anti Mould Gasket
- Tempered Glass Shelves
- Multi Airflow Cooling System
- Vitamin Factory with Orange LED Light
- Door Alarm



Compartment Capacity

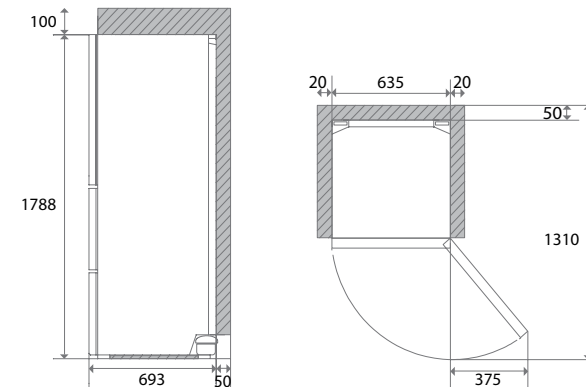
**Net capacity based on ISO standard*



MR-V45EG

- Freezer Room
- Refrigerator Room
- Vegetable Room

Installation Dimension



Silver (SL)



Shiny Black (SB)



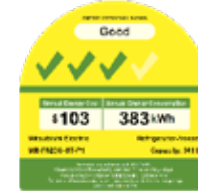
Stainless Steel (ST)



MR-F62EG

Top Freezer Refrigerator

Net Capacity 501L*
751(W) x 1777(H) x 795(D) mm



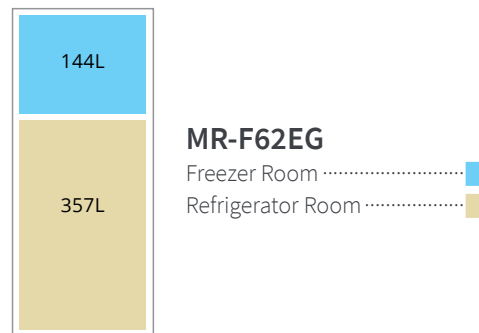
Features

- Neuro Inverter
- Anti Bacteria Food Liner
- Anti Mould Gasket
- Tempered Glass Shelves
- Multi Airflow Cooling System
- Vitamin Factory with Orange LED Light
- Door Alarm

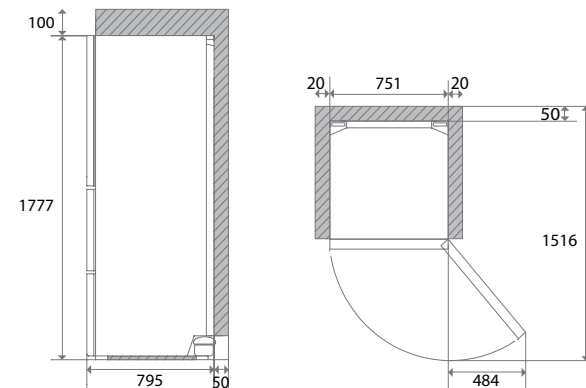


Compartment Capacity

*Net capacity based on ISO standard



Installation Dimension



Silver (SLW)



Brown (BRW)



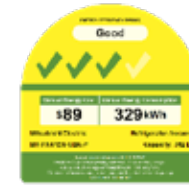
Stainless Steel (ST)



MR-FX47EN

Top Freezer Refrigerator

Net Capacity 363L*
699(W) x 1720(H) x 720(D) mm



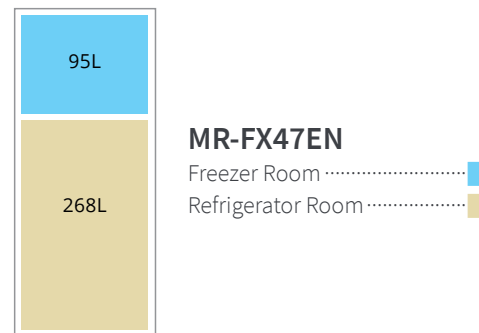
Features

- Neuro Inverter
- Anti Bacteria Food Liner
- Anti Mould Gasket
- Tempered Glass Shelves
- Multi Airflow Cooling System
- Vitamin Factory with Orange LED Light
- Door Alarm

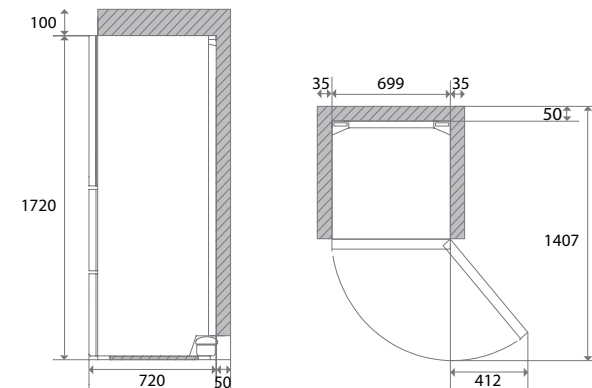


Compartment Capacity

**Net capacity based on ISO standard*



Installation Dimension



Glass Black (GBK)



Glass White (GWH)



MR-FC34EP

Top Freezer Refrigerator

Net Capacity 288L*
555(W) x 1693(H) x 662(D) mm



Features

- Neuro Inverter
- Anti Bacteria Food Liner
- Anti Mould Gasket
- Tempered Glass Shelves
- Fan Cooling System

NEURO
INVERTER



Compartment Capacity

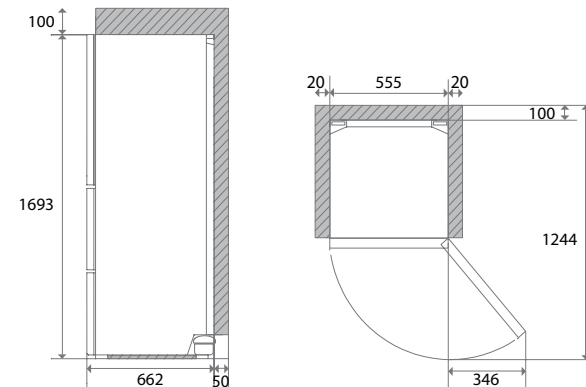
*Net capacity based on ISO standard



MR-FC34EP

- Freezer Room
- Refrigerator Room

Installation Dimension



Silky Silver
(SSL)

Specifications

Folio Series



MODEL			MR-WX70C	MR-WX60F	MR-WX52F	MR-WX47LF	MR-B46F
Capacity (Litre)	Freezer compartment	Net	81	67	58	58	54
		Gross	151	121	107	107	98
	Refrigerator compartment	Net	370	315	271	225	236
		Gross	377	321	277	230	243
	Vegetable compartment	Net	93	79	66	66	57
		Gross	134	112	97	97	86
	Supercool Freezing Compartment	Net	28	22	18	18	15
		Gross	56	45	38	38	31
	Ice compartment	Net	4	4	4	4	4
		Gross	25	29	28	28	27
Total	Net	576	487	417	371	366	
	Gross	743	628	547	500	485	

Dimension (mm)	Width	800	685	650	650	600
	Height	1821	1821	1821	1696	1821
	Depth	738	738	699	699	699

Weight (kg)	142	125	116	112	104
Non-CFC Refrigerant R-600a	•	•	•	•	•
Cabinet Colours	Glass White Glass Brown	Glass Brown Glass White Glass Beige	Glass Brown Glass Beige	Glass Beige	Glass White
Cooling System	Multi Airflow	Multi Airflow	Multi Airflow	Multi Airflow	Multi Airflow
Vitamin Factory	•	•	•	•	•
Auto Ice Maker	•	•	•	•	•
Washable Water Supply Parts	•	•	•	•	•
Supercool Chilling	•	•	•	•	•
Supercool Freezing	•	•	•	•	•
Soft Freezing	•	•	•	•	•
Hot Freezing	•	•	•	•	•
Neuro Inverter	•	•	•	•	•
Glass Door	•	•	•	•	•
ECO Mode	•	•	•	•	•
Tempered Glass Shelf	•	•	•	•	•
LED Lighting	•	•	•	•	•
Door Alarm	•	•	•	•	•

Specifications

Hybrid Series



MODEL			MR-CGX56EP	MR-CGX46EN	MR-CGX41EN	MR-V45EG	MR-V50E2G	MR-F62EG	MR-FX47EN	MR-FC34EP
Capacity (Litre)	Freezer compartment	Net	74	55	55	97	105	144	95	72
		Gross	133	104	104	122	130	178	123	87
	Refrigerator compartment	Net	232	201	169	193	194	357	268	216
		Gross	262	221	189	215	208	382	298	222
	Vegetable compartment	Net	55	42	42	53	59	-	-	-
		Gross	97	77	77	86	110	-	-	-
	Total	Net	361	298	266	343	358	501	363	288
		Gross	492	402	370	423	448	560	421	309

Dimension (mm)	Width	699	600	600	635	686	751	699	555
	Height	1798	1820	1698	1788	1801	1777	1720	1693
	Depth	709	660	660	693	700	795	720	662

Weight (kg)	91	80	76	74	71	92	76	50
Non-CFC Refrigerant R-600a	•	•	•	•	•	•	•	•
Cabinet Colours	Glass White Glass Black	Glass White Glass Brown	Glass White Glass Brown	Shiny Black Silver Stainless Steel	Shiny Black Stainless Steel	Silver Brown Stainless Steel	Glass White Glass Black	Silky Silver
Cooling System	Multi Airflow	Multi Airflow	Multi Airflow	Multi Airflow	Surround Cooling	Multi Airflow	Multi Airflow	Fan Cooling
Vitamin Factory	•	•	•	•	•	•	•	-
Auto Ice Maker	•	•	•	-	-	-	-	-
Neuro Inverter	•	•	•	•	•	•	•	•
Carbon Filter	•	•	•	•	•	•	•	•
Minus Ion	-	-	-	-	•	•	•	-
Elevating Shelf	-	-	-	-	-	•	-	-
Tempered Glass Shelf	•	•	•	•	•	•	•	•
LED Lighting	•	•	•	•	•	•	•	•
Glass Door	•	•	•	-	-	-	•	-
Supercool Chilling	•	•	•	-	-	-	-	-
Door Alarm	•	•	•	•	•	•	•	-

All models and specifications in content are subjected to change without prior notice. Illustration of products depicted are for reference only. Colour tone of actual products may differ from those shown in this catalogue. Every effort has been made to check for accuracy.



MITSUBISHI ELECTRIC ASIA PTE LTD

307 Alexandra Road, Mitsubishi Electric Building, Singapore 159943

Tel: (65) 6470 2308 | Showroom: (65) 6473 8944

Opening Hours: 8:30am – 5:30pm (Monday – Friday, closed on Public Holidays)

www.MitsubishiElectric.com.sg

You may wish to contact our dealer at: